

ROTAX®

ILLUSTRATED PARTS CATALOG

FOR ROTAX ENGINE TYPE 916 i A/C24 SERIES

REF NO.: IPC-916 i A/C24 | PART NO.: 898896 | IPC NO.: 2037 - 2040

A BRP BRAND



WARNING

These technical data and the information embodied therein are the property of BRP-Rotax GmbH & CO KG, Austria, acc, BGBl 1984 no. 448, and shall not, without prior written permission of BRP-Rotax GmbH & Co KG, be disclosed in whole or in part to third parties. This legend shall be included on any reproduction of these data, in whole or in part. The Manual must remain with the engine/aircraft in case of sale.

ROTAX[®] is a trade mark of BRP-Rotax GmbH & Co KG. In the following document the short form of BRP-Rotax GmbH & Co KG = BRP-Rotax is used.

Other product names in this documentation are used purely for ease of identification and may be trademarks of the respective company or owner.

Copyright 2023 © - all rights reserved.

Translation into other languages might be performed in the course of language localization but does not lie within ROTAX[®] scope of responsibility.

In any case the original text in English language and the metric units are authoritative.

BRP-Rotax
ILLUSTRATED PARTS CATALOG

Chapter: LEP
LIST OF EFFECTIVE PAGES

Each new edition to the Illustrated Parts Catalog will have a new List of Effective Pages.

Chapter	Page	Date
	Title page	
LEP	1	Dec. 01 2023
	2	Dec. 01 2023
TOA	1	Dec. 01 2023
	2	Dec. 01 2023
INTRO	1	Dec. 01 2023
	2	Dec. 01 2023
	3	Dec. 01 2023
	4	Dec. 01 2023
	5	Dec. 01 2023
	6	Dec. 01 2023
TABLE OF CONTENTS	1	Dec. 01 2023
	2	Dec. 01 2023
	3	Dec. 01 2023
00-00-00	1	Dec. 01 2023
	2	Dec. 01 2023
	3	Dec. 01 2023
	4	Dec. 01 2023
	5	Dec. 01 2023
	6	Dec. 01 2023
	7	Dec. 01 2023
	8	Dec. 01 2023
	9	Dec. 01 2023
	10	Dec. 01 2023
	11	Dec. 01 2023
	12	Dec. 01 2023
	13	Dec. 01 2023
	14	Dec. 01 2023

Chapter	Page	Date
	15	Dec. 01 2023
	16	Dec. 01 2023
24-20-00	1	Dec. 01 2023
	2	Dec. 01 2023
	3	Dec. 01 2023
	4	Dec. 01 2023
24-30-00	1	Dec. 01 2023
	2	Dec. 01 2023
	3	Dec. 01 2023
	4	Dec. 01 2023
61-20-00	1	Dec. 01 2023
	2	Dec. 01 2023
	3	Dec. 01 2023
	4	Dec. 01 2023
71-20-00	1	Dec. 01 2023
	2	Dec. 01 2023
72-10-00	1	Dec. 01 2023
	2	Dec. 01 2023
	3	Dec. 01 2023
	4	Dec. 01 2023
72-20-00	1	Dec. 01 2023
	2	Dec. 01 2023
	3	Dec. 01 2023
	4	Dec. 01 2023
	5	Dec. 01 2023
	6	Dec. 01 2023
73-10-00	1	Dec. 01 2023
	2	Dec. 01 2023
	3	Dec. 01 2023

BRP-Rotax
ILLUSTRATED PARTS CATALOG

Chapter	Page	Date
	4	Dec. 01 2023
	5	Dec. 01 2023
	6	Dec. 01 2023
	7	Dec. 01 2023
	8	Dec. 01 2023
	9	Dec. 01 2023
	10	Dec. 01 2023
74-20-00	1	Dec. 01 2023
	2	Dec. 01 2023
75-20-00	1	Dec. 01 2023
	2	Dec. 01 2023
	3	Dec. 01 2023
	4	Dec. 01 2023
	5	Dec. 01 2023
	6	Dec. 01 2023
	7	Dec. 01 2023
	8	Dec. 01 2023
	9	Dec. 01 2023
	10	Dec. 01 2023
76-10-00	1	Dec. 01 2023
	2	Dec. 01 2023
	3	Dec. 01 2023
	4	Dec. 01 2023
76-50-00	1	Dec. 01 2023

Chapter	Page	Date
	2	Dec. 01 2023
	3	Dec. 01 2023
	4	Dec. 01 2023
78-10-00	1	Dec. 01 2023
	2	Dec. 01 2023
	3	Dec. 01 2023
	4	Dec. 01 2023
	5	Dec. 01 2023
	6	Dec. 01 2023
	7	Dec. 01 2023
	8	Dec. 01 2023
79-20-00	1	Dec. 01 2023
	2	Dec. 01 2023
	3	Dec. 01 2023
	4	Dec. 01 2023
	5	Dec. 01 2023
	6	Dec. 01 2023
	7	Dec. 01 2023
	8	Dec. 01 2023
	9	Dec. 01 2023
	10	Dec. 01 2023
80-10-00	1	Dec. 01 2023
	2	Dec. 01 2023
	Back page	

BRP-Rotax
ILLUSTRATED PARTS CATALOG

Chapter: TOA

Approval*
The technical content of this document is approved under the authority of the DOA ref. EASA.21.J.048.

Edition no.	Chapter	Page	Date of issue	Remark for approval	Date of approval from authorities	Date of inclusion	Signature
0	LEP	all	March 01 2023	DOA*			
0	TOA	all	March 01 2023	DOA*			
0	INTRO	all	March 01 2023	DOA*			
0	TABLE OF CONTENT	all	March 01 2023	DOA*			
0	00-00-00	all	March 01 2023	DOA*			
0	24-20-00	all	March 01 2023	DOA*			
0	24-30-00	all	March 01 2023	DOA*			
0	61-20-00	all	March 01 2023	DOA*			
0	71-20-00	all	March 01 2023	DOA*			
0	72-10-00	all	March 01 2023	DOA*			
0	72-20-00	all	March 01 2023	DOA*			
0	73-10-00	all	March 01 2023	DOA*			
0	74-20-00	all	March 01 2023	DOA*			
0	75-20-00	all	March 01 2023	DOA*			
0	76-10-00	all	March 01 2023	DOA*			
0	76-50-00	all	March 01 2023	DOA*			
0	78-10-00	all	March 01 2023	DOA*			
0	79-20-00	all	March 01 2023	DOA*			
0	80-10-00	all	March 01 2023	DOA*			

BRP-Rotax
ILLUSTRATED PARTS CATALOG

Revision no.	Chapter	Page	Date of issue	Remark for approval	Date of approval from authorities	Date of inclusion	Signature
1	LEP	all	Dec. 01 2023	DOA*			
1	TOA	all	Dec. 01 2023	DOA*			
1	INTRO	all	Dec. 01 2023	DOA*			
1	00-00-00	all	Dec. 01 2023	DOA*			
1	24-20-00	all	Dec. 01 2023	DOA*			
1	24-30-00	all	Dec. 01 2023	DOA*			
1	61-20-00	all	Dec. 01 2023	DOA*			
1	71-20-00	all	Dec. 01 2023	DOA*			
1	72-10-00	all	Dec. 01 2023	DOA*			
1	72-20-00	all	Dec. 01 2023	DOA*			
1	73-10-00	all	Dec. 01 2023	DOA*			
1	74-20-00	all	Dec. 01 2023	DOA*			
1	75-20-00	all	Dec. 01 2023	DOA*			
1	76-10-00	all	Dec. 01 2023	DOA*			
1	76-50-00	all	Dec. 01 2023	DOA*			
1	78-10-00	all	Dec. 01 2023	DOA*			
1	79-20-00	all	Dec. 01 2023	DOA*			
1	80-10-00	all	Dec. 01 2023	DOA*			

BRP-Rotax
ILLUSTRATED PARTS CATALOG

Chapter: INTRO
INTRO

TOPICS IN THIS CHAPTER

GENERAL NOTE	2
INTRODUCTION	3
PARTS ORDER	3
Engine view and denomination of the cylinders	4
Repeating symbols	5
Structure	5

BRP-Rotax
ILLUSTRATED PARTS CATALOG

GENERAL NOTE

- Modification** The information and components-/system descriptions contained in this Illustrated Parts Catalog (IPC) are correct at the time of publication.
BRP-Rotax, however, maintains a policy of continuous improvement of its products without imposing upon itself any obligation to install them on its products previously manufactured. BRP-Rotax reserves the right at any time to discontinue or change specification, designs, features, models or equipment without incurring obligation.
- Note** This Illustrated Parts Catalog (IPC) is not an offer to sell parts, but a catalog illustrating the parts available at ROTAX® authorized distributors.
BRP-Rotax reserves the right to deliver the components (crankshaft, crankcase, special tools etc.) only to organizations with respective qualifications, and thus, these special components will not be listed in this IPC.
- Color variations** **Color variations on unpainted castings:**

On unpainted surfaces (i.e. aluminium cases) minor color variations (i.e. grey tone on aluminum surface) are possible due to the manufacturing process. Such possible color variations do not affect the quality of the product and are no reason for rejection - even a color variation on castings in differing areas is acceptable.
- Revision** This Illustrated Parts Catalog (IPC) will be revised as required.

NOTE

Date of issue is printed on cover and bottom end of page.

BRP-Rotax
ILLUSTRATED PARTS CATALOG

ENGINE VIEW AND DENOMINATION OF THE CYLINDERS

PTO	power take off side
MAG	magneto side
Cyl. 1	Cylinder 1
Cyl. 2	Cylinder 2
Cyl. 3	Cylinder 3
Cyl. 4	Cylinder 4

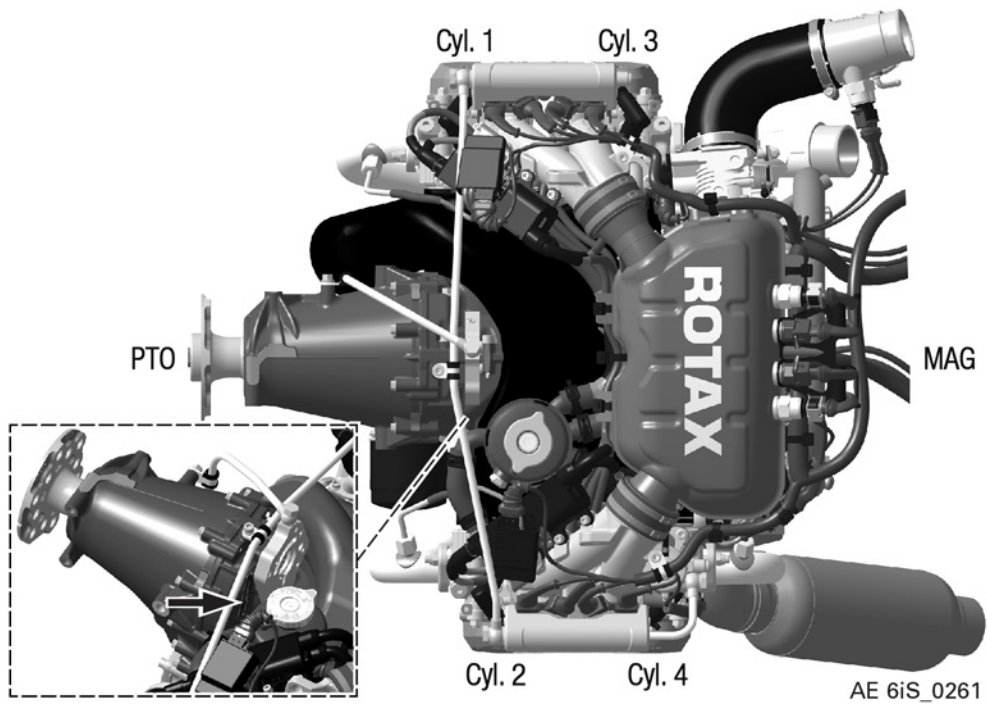


Figure 1.2: Engine

BRP-Rotax
ILLUSTRATED PARTS CATALOG

REPEATING SYMBOLS

NOTE

Indicates supplementary information which may be needed to fully complete or understand an instruction.

XXX In illustrations this sign indicates the position of the current serial number (e.g. on crankshaft, camshaft, etc.).
In descriptions (in part no. column) this sign indicates, that this part has no part number.

STRUCTURE

Exploded view Each section starts with an exploded view of the engine components on the left side. The corresponding heading and the listing of the parts is on the right side and the following pages.

The numbering on the exploded view is in the sequence of assembly as good as practicable.

For prevention of errors and to simplify exchange we tried best to list the part number of each component only once. But for better understanding components are frequently depicted without being listed, but referred to a respective section, if considered necessary.

Engine-column For each engine type the right amount of spare parts per engine is listed in the relevant engine-column.

If the quantity is in brackets it indicates that the part is not absolutely necessary but optional on the respective engine type.

A small letter added to the number refers to information at the end of the section.

No number in the column parts per assembly indicates that this part is not planned for the respective engine.

Abbreviations Find the following statements in the columns:

N	newly introduced part
AR	as required

BRP-Rotax

ILLUSTRATED PARTS CATALOG

1 Chapter: 24-20-00

IGNITION HOUSING.STATOR. CRANKSHAFT

POSITION SENSOR

ITEM#	STATUS	PART#	DESCRIPTION	915 iS A ASTM	915 isc A	915 iS C24 ASTM	915 isc C24
1	N	912248	IGNITION HOUSING ASSY.	1	1	0	0
1		912248	IGNITION HOUSING ASSY. Ill. no.5 as required still valid not available	1	1	0	0
2	xxx		O-RING 5x2 see chapter 72-20-00	0	0	3	3
3			HEX.SCREW M8x20 non certified SI-PAC-001	2	2	0	0

newly introduced

part information

parts per engine

no part number

not certified accessory parts

AE_IPC_2iS_0006

Figure 1.3: TYPICAL

BRP-Rotax
ILLUSTRATED PARTS CATALOG
TABLE OF CONTENTS

DESCRIPTION	PAGE
Chapter: 00-00-00 REPAIR TOOLS (All repair tools are non-certified parts)	1
Chapter: 00-00-00 REPAIR TOOLS (All repair tools are non-certified parts)	3
Chapter: 00-00-00 REPAIR TOOLS (All repair tools are non-certified parts)	5
Chapter: 00-00-00 LUBRICANTS (All lubricants are non-certified parts)	7
Chapter: 00-00-00 DOCUMENTATION, LABELS, GASKET SETS	9
Chapter: 24-20-00 IGNITION HOUSING, STATOR, CRANKSHAFT POSITION SENSOR	11
Chapter: 24-30-00 EXTERNAL GENERATOR F3A	15
Chapter: 61-20-00 ARRANGEMENT FOR CONSTANT SPEED AND FIXED PITCH PROPELLER	19
Chapter: 71-20-00 ENGINE SUSPENSION FRAME	23
Chapter: 72-10-00 PROPELLER GEAR ASSY.	25
Chapter: 72-10-00 OVERLOAD CLUTCH, DAMPER CLUTCH	29
Chapter: 72-20-00 CRANKCASE	31
Chapter: 72-20-00 CRANKSHAFT, PISTON, CYLINDER, SPRANG CLUTCH	33
Chapter: 72-20-00 CAMSHAFT, VALVE TRAIN, CYLINDER HEAD, VALVE COVER	35
Chapter: 73-10-00 INTAKE MANIFOLD, AIRBOX, THROTTLE BODY SOCKET	37

BRP-Rotax
ILLUSTRATED PARTS CATALOG
TABLE OF CONTENTS

DESCRIPTION	PAGE
Chapter: 73-10-00 INTERCOOLER, WASTEGATE	39
Chapter: 73-10-00 FUEL INJECTOR, FUEL RAIL, PRESSURE REGULATOR, FUEL RAIL COVER	43
Chapter: 74-20-00 IGNITION COILS, IGNITION CABLE, SPARK PLUG CONNECTOR, SPARK PLUG	47
Chapter: 75-20-00 WATER PUMP WITH DRIVE	49
Chapter: 75-20-00 EXPANSION TANK WITH HOSES AND CONNECTIONS	51
Chapter: 75-20-00 COOLING AIR BAFFLE	55
Chapter: 76-10-00 ENGINE CONTROL UNIT, FUSE BOX, REGULATOR 916 iSc A, 916 iS A	59
Chapter: 76-10-00 ENGINE CONTROL UNIT, FUSE BOX, REGULATOR 916 iSc C24, 916 iS C24	63
Chapter: 76-50-00 WIRING HARNESS 916 iSc A, 916 iS A	67
Chapter: 76-50-00 WIRING HARNESS 916 iSc C24, 916 iS C24	71
Chapter: 78-10-00 EXHAUST SYSTEM, EXHAUST TEMPERATURE SENSOR	75
Chapter: 78-10-00 TURBOCHARGER	79
Chapter: 79-20-00 OIL TANK	83
Chapter: 79-20-00 OIL PUMP ASSY., OIL FILTER, OIL TEMPERATURE SENSOR, OIL PRESSURE SENSOR	87

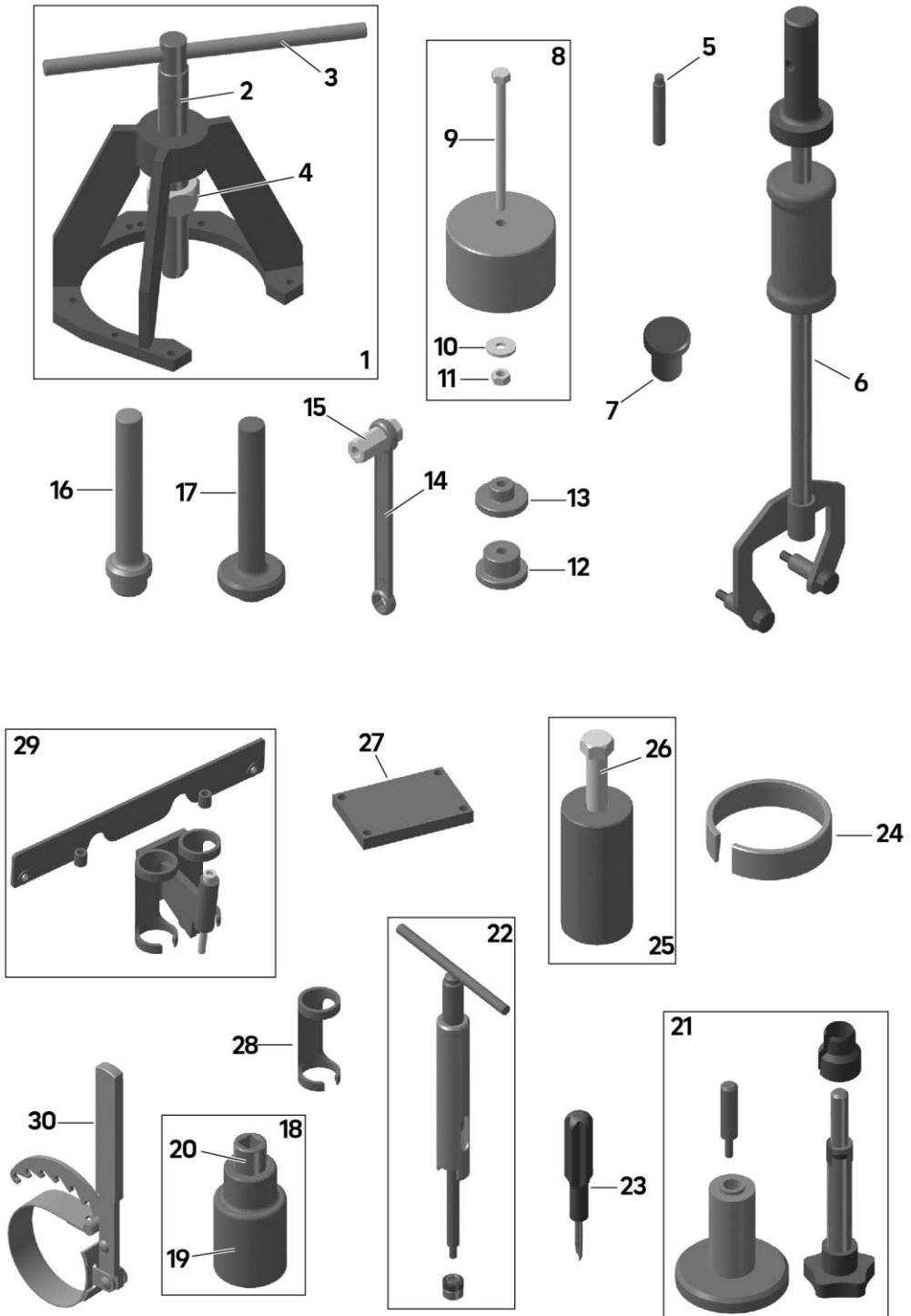
BRP-Rotax
ILLUSTRATED PARTS CATALOG
TABLE OF CONTENTS

DESCRIPTION	PAGE
Chapter: 79-20-00 OIL TEMPERATURE SENSOR, OIL PRESSURE SENSOR, OIL SPRAY NOZZLE ASSY.	91
Chapter: 79-20-00 OIL RADIATOR	93
Chapter: 80-10-00 ELECTRIC STARTER	95

BRP-Rotax
ILLUSTRATED PARTS CATALOG

Chapter: 00-00-00

REPAIR TOOLS (All repair tools are non-certified parts)



AE_IPC_6iS_0053

BRP-Rotax
ILLUSTRATED PARTS CATALOG

Chapter: 00-00-00

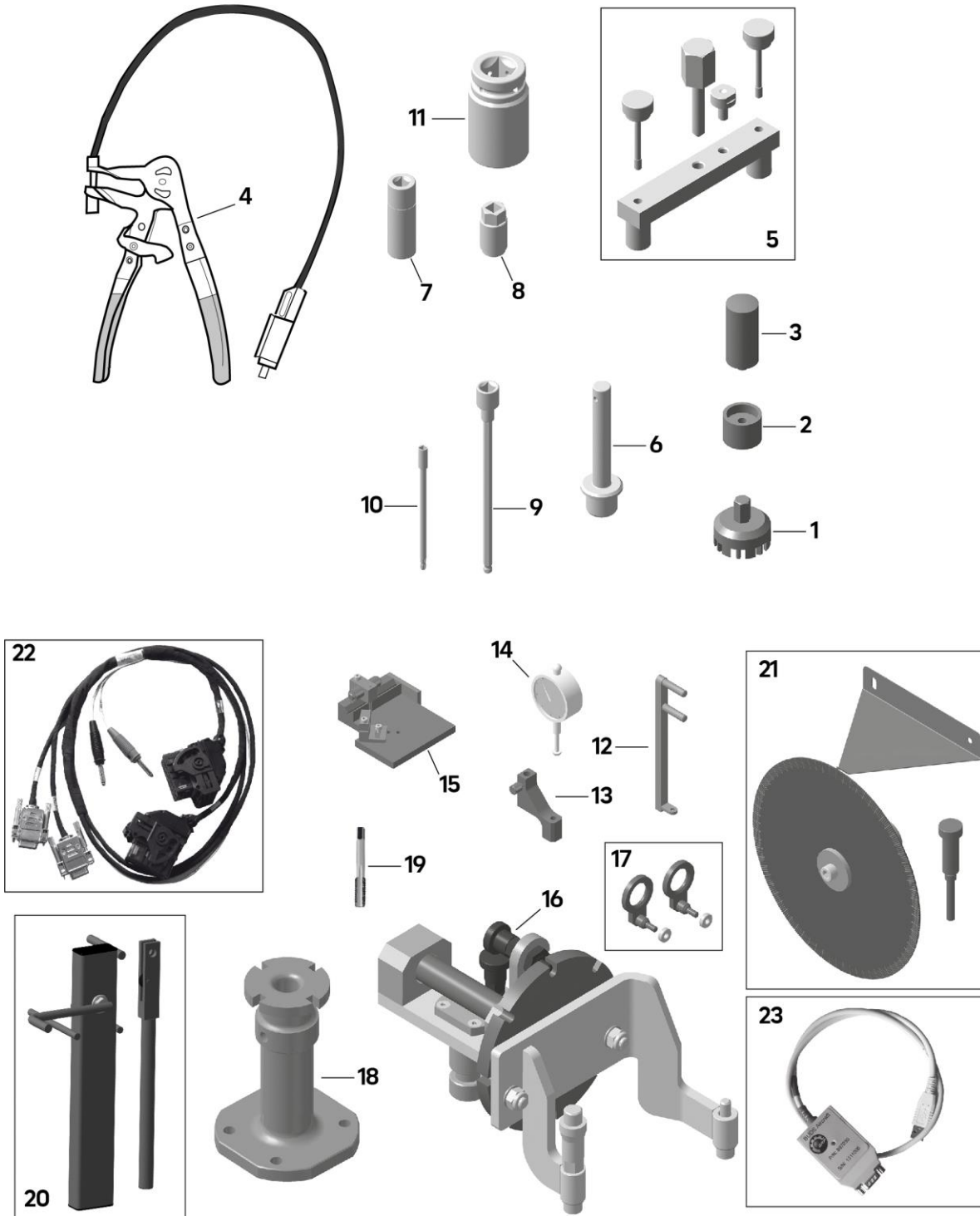
REPAIR TOOLS (All repair tools are non-certified parts)

ITEM#	STATUS	PART#	DESCRIPTION	916 iSc A	916 iS A	916 iSc C24	916 iS C24
01		877615	EXTRACTOR ASSY. Ill. no. 1-4	1	1	1	1
02		877580	PULL-IN SPINDLE M24X1.5	1	1	1	1
03		276155	BOLT 12X250	1	1	1	1
04		XXX	HEX. SCREW - M24x1.5 - 19MM	1	1	1	1
05		240880	LOCKING PIN	1	1	1	1
06		877660	PULLER ASSY.	1	1	1	1
07		877419	PROTECTION MUSHROOM	1	1	1	1
08		876489	PULLER ASSY. Ill. no. 8-11	1	1	1	1
09		XXX	HEX. SCREW - M6x80	1	1	1	1
10		827305	WASHER 6.2/18/2	1	1	1	1
11		242214	HEX.NUT M6 8.8	1	1	1	1
12		877597	PRESS-IN MUSHROOM	1	1	1	1
13		877595	PRESS-IN MUSHROOM	1	1	1	1
14		876470	RING SPANNER 10/13	1	1	1	1
15		XXX	DISTANCE NUT M8x33	1	1	1	1
16		276332	INSERTION JIG	1	1	1	1
17		877276	INSERTION JIG	1	1	1	1
18		877445	SOCKET WRENCH ASSY. 41X12.5 Ill. no. 18-20	1	1	1	1
19		877440	SOCKET WRENCH A/F 41X20	1	1	1	1
20		877460	REDUCING SOCKET 3/4-1/2	1	1	1	1
21		877802	CIRCLIP INSTALLATION TOOL	1	1	1	1
22		877091	PISTON PIN EXTRACTOR ASSY. Ill. no. 22-23	1	1	1	1
23		976380	MONOHOOK CIRCLIP REMOVER	1	1	1	1
24		876967	PISTON RING SPANNER 84 MM	1	1	1	1
25		877375	PULLER ASSY. Ill. no. 25-26	1	1	1	1
26		XXX	HEX. SCREW - M16x1.5x150	1	1	1	1
27		877263	CYLINDER ALIGNING TOOL	1	1	1	1
28		877380	VALVE SPRING MOUNTING DEVICE	1	1	1	1
29		877387	VALVE SPRING LOADING JIG ASSY.	1	1	1	1
30		877620	OIL FILTER WRENCH	1	1	1	1

BRP-Rotax
ILLUSTRATED PARTS CATALOG

Chapter: 00-00-00

REPAIR TOOLS (All repair tools are non-certified parts)



AE_IPC_6iS_0054

BRP-Rotax
ILLUSTRATED PARTS CATALOG

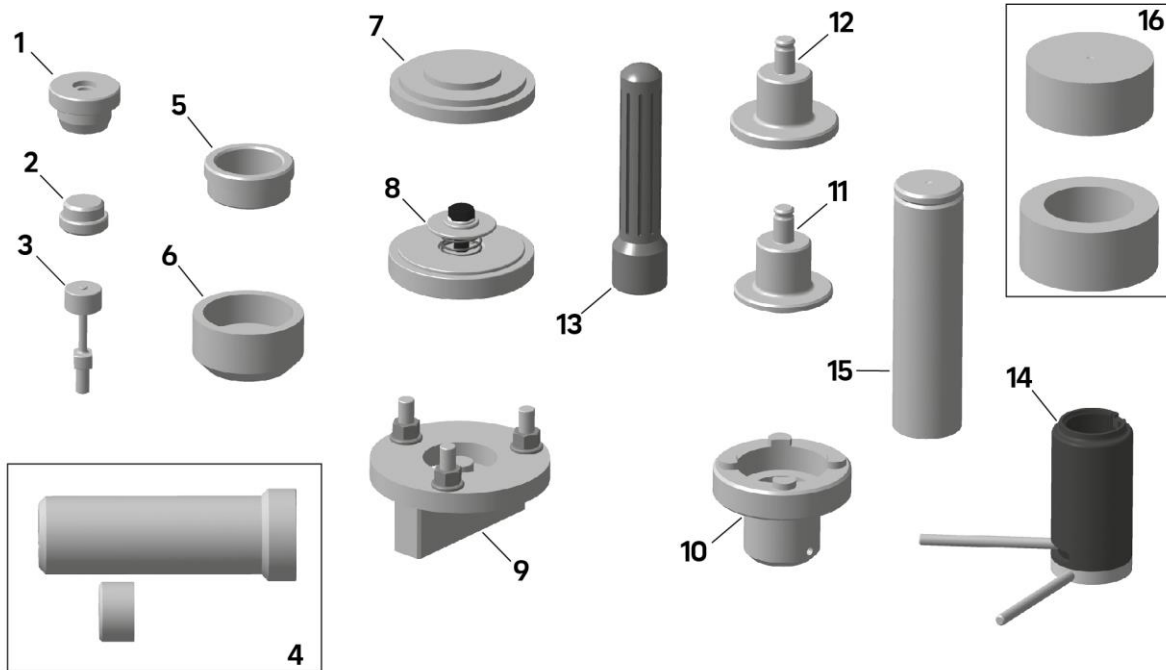
Chapter: 00-00-00

REPAIR TOOLS (All repair tools are non-certified parts)

ITEM#	STATUS	PART#	DESCRIPTION	916 iSc A	916 iS A	916 iSc C24	916 iS C24
01		877295	IMPELLER WRENCH	1	1	1	1
02		877258	PRESS IN JIG	1	1	1	1
03		876510	INSERTION JIG	1	1	1	1
04		877840	SPRING CLAMP PLIERS	1	1	1	1
05		876010	PULLER ASSY.	1	1	1	1
06		876020	INSERTION JIG	1	1	1	1
07		876075	SOCKET WRENCH 21X12.5	1	1	1	1
08		876130	SOCKET WRENCH 19X12.5	1	1	1	1
09		876240	SOCKET DRIVER HEX. 8 BALL HEAD	1	1	1	1
10		876180	SOCKET DRIVER T30 BALL HEAD	1	1	1	1
11		876070	SOCKET WRENCH 38X20	1	1	1	1
12		877690	CHECK LEVER	1	1	1	1
13		877710	DIAL GAUGE ADAPTER ASSY	1	1	1	1
14		876950	PRECISION DIAL GAUGE	1	1	1	1
15		976140	DIAL GAUGE ADAPTER ASSY.	1	1	1	1
16		876050	TRESTLE ADAPTER ASSY.	1	1	1	1
17		876040	ENGINE LIFT SET ASSY.	1	1	1	1
18		877930	TRESTLE SUPPORT	1	1	1	1
19		877570	TAPPING DRILL M18X1	1	1	1	1
20		276275	OIL FILTER CUTTING TOOL	1	1	1	1
21		877520	PROTRACTOR CRANKSHAFT DISTORTION INSP.	1	1	1	1
22		864280	SERVICE WIRING HARNESS ASSY.	1	1	1	1
23		864021	B.U.D.S. SET LEVEL 1 for pilots/users	1	1	1	1
23		864022	B.U.D.S. SET LEVEL 2 for maintenance personnel	1	1	1	1
23		864023	B.U.D.S. SET LEVEL 3 for distributors/OEM	1	1	1	1

Chapter: 00-00-00

REPAIR TOOLS (All repair tools are non-certified parts)



AE_IPC_6iS_0055

BRP-Rotax
ILLUSTRATED PARTS CATALOG

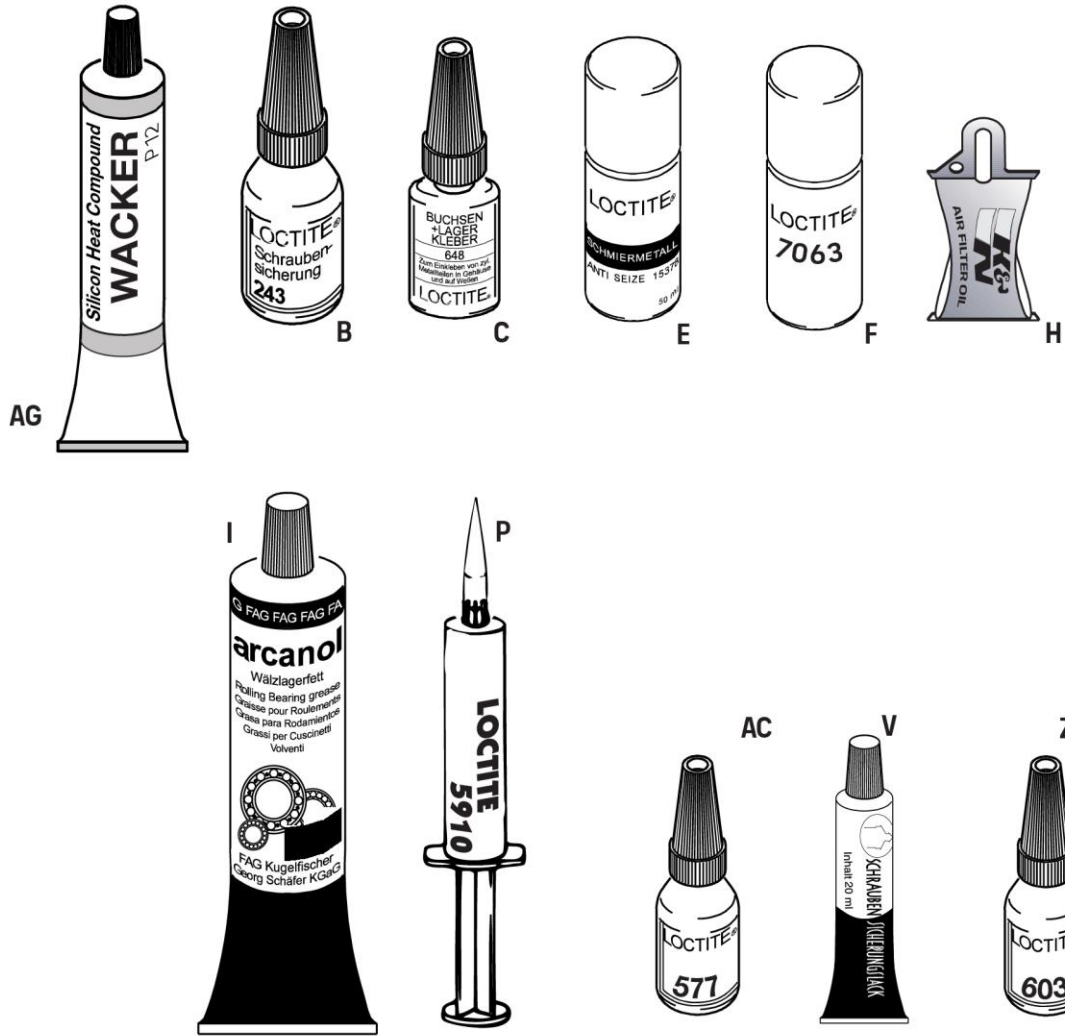
Chapter: 00-00-00

REPAIR TOOLS (All repair tools are non-certified parts)

ITEM#	STATUS	PART#	DESCRIPTION	916 iSc A	916 iS A	916 iSc C24	916 iS C24
01		276000	PRESS IN JIG	1	1	1	1
02		276002	PRESS OUT MUSHROOM	1	1	1	1
03		276004	PULL STUD	1	1	1	1
04		276006	SOCKET WRENCH AF 46	1	1	1	1
05		276950	CENTERING RING	1	1	1	1
06		276952	INSERTION JIG	1	1	1	1
07		276954	CENTERING PLATE	1	1	1	1
08		276956	CENTERING PLATE	1	1	1	1
09		276958	SUPPORT PLATE	1	1	1	1
10		276962	TWIST TOOL	1	1	1	1
11		276964	INSERTION JIG	1	1	1	1
12		276966	INSERTION JIG	1	1	1	1
13		877650	HANDLE FOR INSERTION JIG	1	1	1	1
14		276968	RETAINING RING TOOL	1	1	1	1
15		276972	INSERTION SLEEVE	1	1	1	1
16		276974	INSERTION JIG	1	1	1	1

Chapter: 00-00-00

LUBRICANTS (All lubricants are non-certified parts)



O ENGINE OIL

AE_IPC_6IS_0039

BRP-Rotax
ILLUSTRATED PARTS CATALOG

Chapter: 00-00-00

LUBRICANTS (All lubricants are non-certified parts)

ITEM#	STATUS	PART#	DESCRIPTION	916 iSc A	916 iS A	916 iSc C24	916 iS C24
01		897186	SILICONE HEAT COMPOUND 150G Ill. no. AG	1	1	1	1
02		897651	LOCTITE 243 BLUE. 10 CC. Ill. no. B	1	1	1	1
03		899788	LOCTITE 648 GREEN. 5 CC Ill. no. C	1	1	1	1
04		297438	LOCTITE ANTI SEIZE 8151 400 ML Ill. no. E	1	1	1	1
05		XXX	LOCTITE 7063 Ill. no. F	1	1	1	1
06		897870	INTAKE FILTER OIL 14.8 ML. Ill. no. H	1	1	1	1
07		897330	LITHIUM-BASE GREASE. 250 GR.. Ill. no. I	1	1	1	1
08		XXX	ENGINE OIL Ill. no. O	1	1	1	1
09		899791	LOCTITE 5910. 50 ML Ill. no. P	1	1	1	1
10		899796	LOCTITE 577 YELLOW 50 CC Ill. no. AC	1	1	1	1
11		898570	LOCKING PAINT 20 ML Ill. no. V	1	1	1	1
12		899789	LOCTITE 603 GREEN. 10 CC. Ill. no. Z	1	1	1	1

Chapter: 00-00-00
DOCUMENTATION, LABELS, GASKET SETS



2



3



4



5



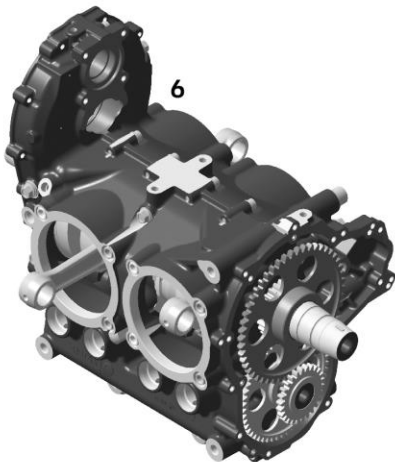
1



7



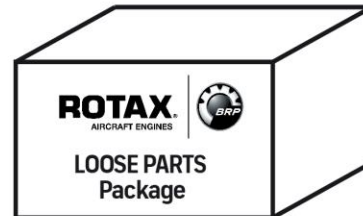
8



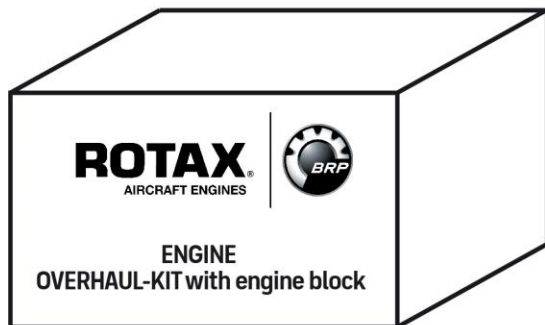
6



10



13



9



12



11

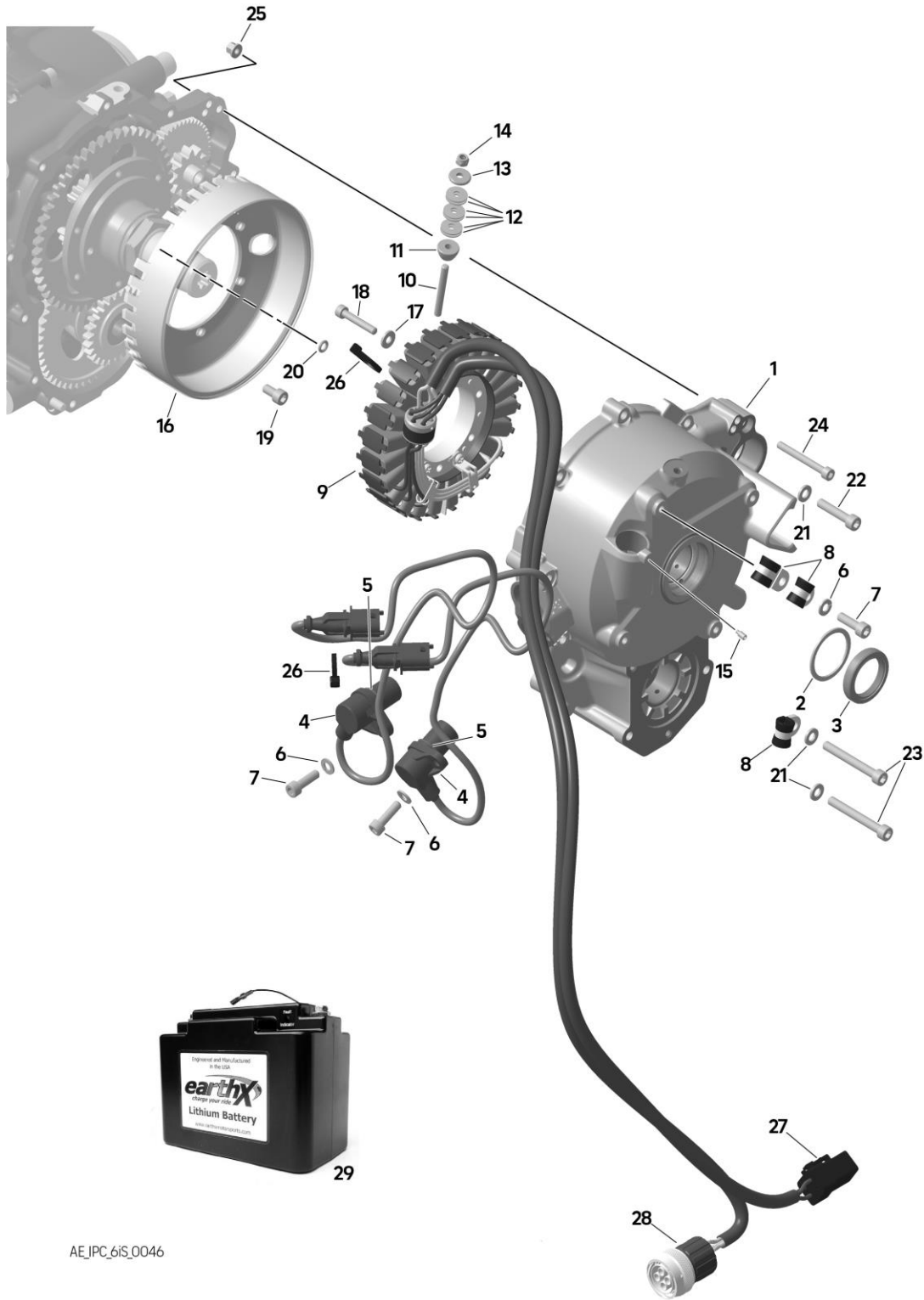
AE_IPC_6iS_0050

BRP-Rotax
ILLUSTRATED PARTS CATALOG

Chapter: 00-00-00
DOCUMENTATION, LABELS, GASKET SETS

ITEM#	STATUS	PART#	DESCRIPTION	916 iSc A	916 iS A	916 iSc C24	916 iS C24
01		898854	OPERATORS-MANUAL	1	1	1	1
02		898874	INSTALLATION-MANUAL 916 iS(c) A	1	1	1	1
03		898896	ILLUSTRATED PARTS CATALOG 916 iS(c) A	1	1	1	1
04		898869	MAINTENANCE-MANUAL (LINE)	1	1	1	1
05		898867	MAINTENANCE-MANUAL (HEAVY)	1	1	1	1
06		XXX	ENGINE BLOCK see chapter 72-20-00	1	1	1	1
07		686245	GASKET SET 915 IS	1	1	1	1
08		XXX	OVERHAUL KIT see OHM for overhaul certified service centers only	1	1	1	1
09		XXX	OVERHAUL KIT WITH ENGINE BLOCK see OHM for overhaul certified service centers only	1	1	1	1
10		XXX	CONNECTOR SET AIRFRAME SIDE see chapter 76-50-00	1	1	1	1
11		298116	XPS-AIRCRAFT 5W50 OEL - 55GAL	1	1	1	1
11		298114	XPS-AIRCRAFT 5W50 OIL - 5GAL	1	1	1	1
11		298110	XPS-AIRCRAFT 5W50 OIL - 1QT	1	1	1	1
12		897346	FUEL STABILIZER - SMALL CONTAINER 118 ML as required	1	1	1	1
13		481525	LOOSE PARTS non certified consists of: 230150 x 4 Gasket ring 10x14 A 940874 x 2 Banjo bolt 10x1x19 956314 x 2 Hose nipple 4/6 881240 x 1 HIC Parts Kit 874060 x 1 Fuel filter 951983 x 1 Connector bracket 951981 x 1 Connector bracket 992818 x 1 Starter relay	1	1	1	1

Chapter: 24-20-00
IGNITION HOUSING, STATOR, CRANKSHAFT POSITION SENSOR



AE_IPC_6iS_0046

BRP-Rotax
ILLUSTRATED PARTS CATALOG

Chapter: 24-20-00

IGNITION HOUSING, STATOR, CRANKSHAFT POSITION SENSOR

ITEM#	STATUS	PART#	DESCRIPTION	916 iSc A	916 iS A	916 iSc C24	916 iS C24
01		912416	IGNITION HOUSING ASSY.	1	1	1	1
02		827220	WASHER 32/38/1.5	1	1	1	1
03		230429	OIL SEAL GPRE 28x38 x7 FKM	1	1	1	1
04		966572	CRANKSHAFT POSITION SENSOR Ill. no. 4-5	2	2	2	2
05		431580	O-RING 17.17X1.78 FPM 70	2	2	2	2
06		945831	LOCK WASHER - A6-FST	3	3	3	3
07		241935	ALLEN SCREW - M6x20	2	2	2	2
08		853412	CABLE CLAMP	3	3	3	3
09		685067	STATOR ASSY.	1	1	1	1
10		840792	STUD M5X44	1	1	1	1
11		947510	DISTANCE SLEEVE	1	1	1	1
12		938080	DISK SPRING 15X5.2X0.7	6	6	6	6
13		827240	WASHER 5.1/15.5/2.5	1	1	1	1
14		842033	LOCK NUT M5	1	1	1	1
15		840820	ADJUSTMENT SCREW M4X8	1	1	1	1
16		685072	MAGNETO FLYWHEEL ASSY.	1	1	1	1
17		827801	WASHER - N - 6 - 200 HV	6	6	6	6
18		940882	ALLEN SCREW - M5x30	6	6	6	6
19		840036	ALLEN SCREW - M6X12	6	6	6	6
20		831929	O-RING -5X2-N. FPM 75 see chapter 72-20-00	1	1	1	1
21		827962	WASHER-A 6.4 - St	7	7	7	7
22		840888	ALLEN SCREW - M6x30	5	5	5	5
23		241762	ALLEN SCREW - M6x50	2	2	2	2
24		941792	ALLEN SCREW - M5x45	2	2	2	2
25		942311	HEX. NUT M5	2	2	2	2
26		866714	TIE WRAP 142x3.2 MM	2	2	2	2
27		XXX	CONNECTOR SET BLACK see chapter 76-10-00	1	1	1	1
28		XXX	CONNECTOR SET AMPHENOL see chapter 76-10-00	1	1	1	1

BRP-Rotax
ILLUSTRATED PARTS CATALOG

Chapter: 24-20-00

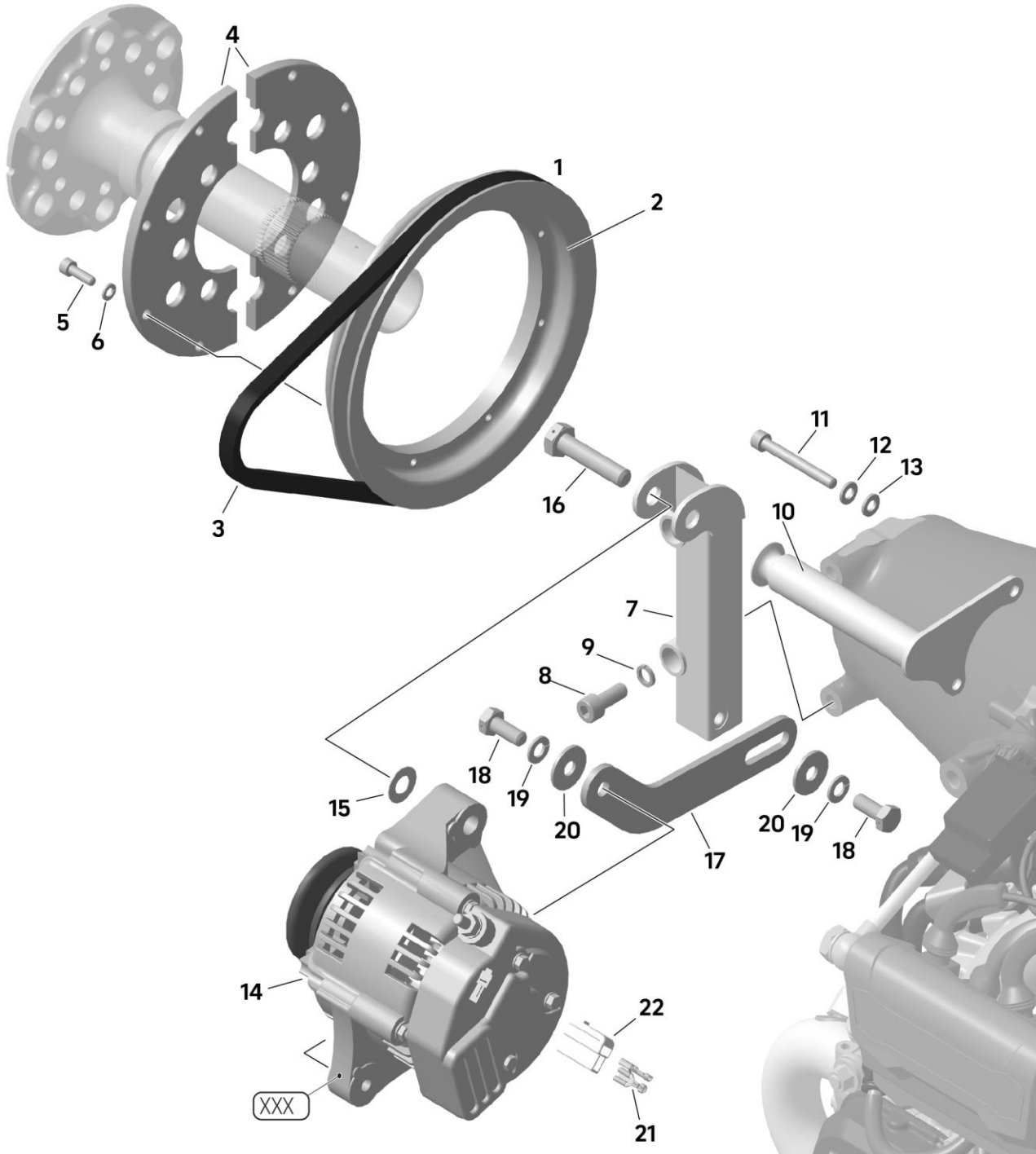
IGNITION HOUSING, STATOR, CRANKSHAFT POSITION SENSOR

ITEM#	STATUS	PART#	DESCRIPTION	916 iSc A	916 iS A	916 iSc C24	916 iS C24
29		966260	LITHIUM-BATTERY 12V 16AH non certified SI-PAC-025 optional	1	1	1	1
29		966265	LITHIUM-BATTERY 12V 12AH non certified SI-PAC-025 optional	1	1	1	1

BRP-Rotax
ILLUSTRATED PARTS CATALOG

This page intentionally left blank

Chapter: 24-30-00
EXTERNAL GENERATOR F3A



AE_IPC_5iS_0042

BRP-Rotax
ILLUSTRATED PARTS CATALOG

Chapter: 24-30-00
EXTERNAL GENERATOR F3A

ITEM#	STATUS	PART#	DESCRIPTION	916 iSc A	916 iS A	916 iSc C24	916 iS C24
01		887259	ALTERNATORSET Ill. no. 1-22 non certified SI-PAC-001 optional	1	1	1	1
02		980590	V-BELT PULLEY non certified SI-PAC-001 optional	1	1	1	1
03		980400	V-BELT 9.5X675 non certified SI-PAC-001 optional	1	1	1	1
04		980605	PULLEY CARRIER non certified SI-PAC-001 optional	2	2	2	2
05		840514	ALLEN SCREW - M5x16 non certified SI-PAC-001 optional	8	8	8	8
06		945830	LOCK WASHER - A5-FST non certified SI-PAC-001 optional	8	8	8	8
07		953223	ALTERNATOR BRACKET ASSY. non certified SI-PAC-001 optional	1	1	1	1
08		240072	ALLEN SCREW - M8x20 non certified SI-PAC-001 optional	2	2	2	2

BRP-Rotax
ILLUSTRATED PARTS CATALOG

Chapter: 24-30-00
EXTERNAL GENERATOR F3A

ITEM#	STATUS	PART#	DESCRIPTION	916 iSc A	916 iS A	916 iSc C24	916 iS C24
09		845310	LOCK WASHER VHZ 8 non certified SI-PAC-001 optional	2	2	2	2
10		953235	ALTERNATOR SUPPORT ASSY. non certified SI-PAC-001 optional	1	1	1	1
11		241762	ALLEN SCREW - M6x50 non certified SI-PAC-001 optional	2	2	2	2
12		945831	LOCK WASHER - A6-FST non certified SI-PAC-001 optional	2	2	2	2
13		827962	WASHER - A 6.4 - St non certified SI-PAC-001 optional	2	2	2	2
14		887251	ALTERNATOR F3A non certified SI-PAC-001 optional	1	1	1	1
15		927952	THRUST WASHER 10.1/20/0.5 non certified SI-PAC-001 optional	1	1	1	1
16		941637	HEX. SCREW - M10X45 non certified SI-PAC-001 with bore for safety wire optional	1	1	1	1

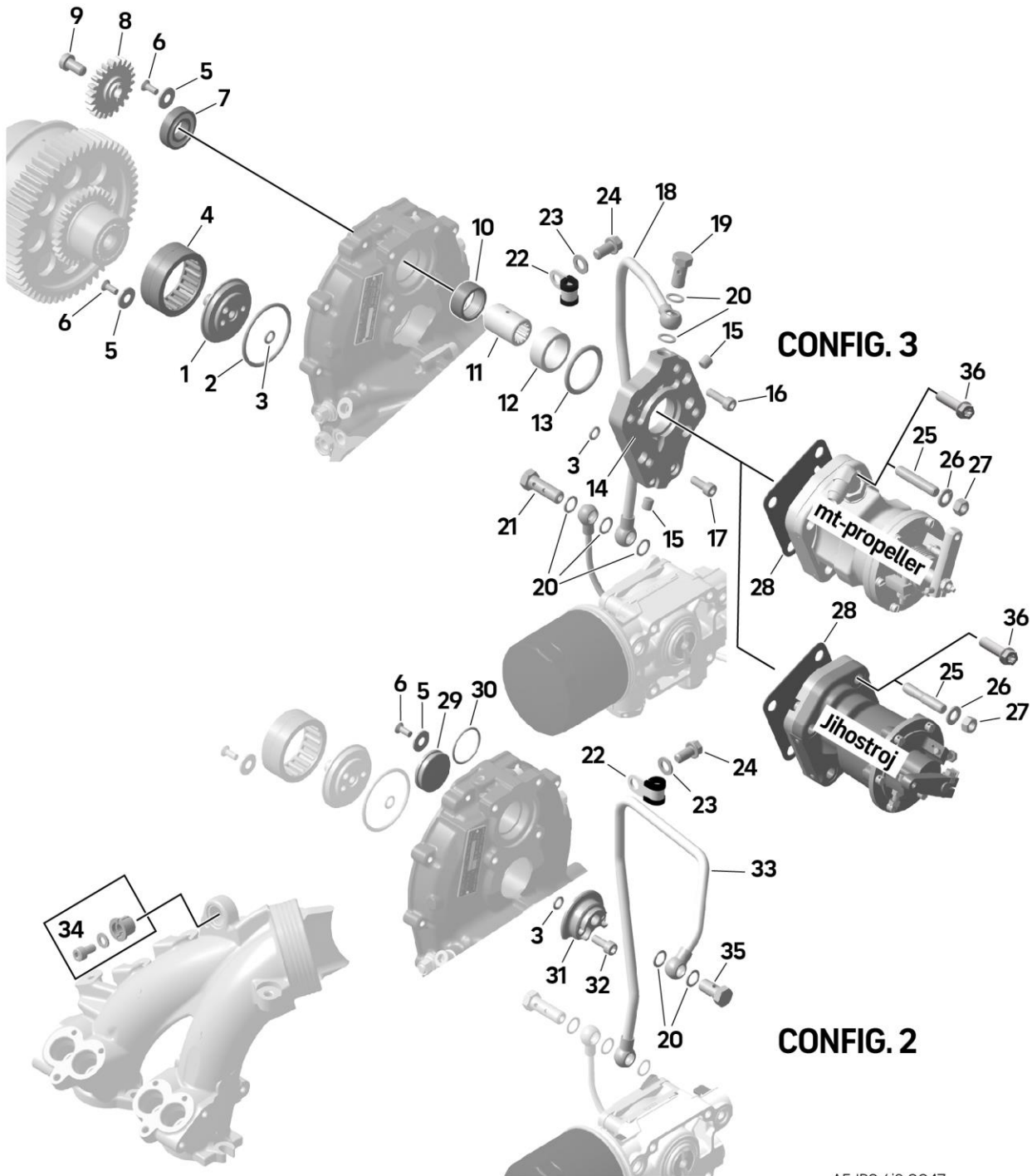
BRP-Rotax
ILLUSTRATED PARTS CATALOG

Chapter: 24-30-00
EXTERNAL GENERATOR F3A

ITEM#	STATUS	PART#	DESCRIPTION	916 iSc A	916 iS A	916 iSc C24	916 iS C24
17		953241	TENSION BAR non certified SI-PAC-001 optional	1	1	1	1
18		940597	HEX. SCREW - M8X20 non certified SI-PAC-001 optional	2	2	2	2
19		945832	LOCK WASHER - A8-FST non certified SI-PAC-001 optional	2	2	2	2
20		227936	WASHER - 8 - 200 HV non certified SI-PAC-001 optional	2	2	2	2
21		864011	FASTON CONNECTOR 6.3X0.8 non certified SI-PAC-001 optional	2	2	2	2
22		265255	CONNECTOR HOUSING 2-POLE non certified SI-PAC-001 optional	1	1	1	1

Chapter: 61-20-00

ARRANGEMENT FOR CONSTANT SPEED AND FIXED PITCH PROPELLER



AE_IPC_6iS_0047

BRP-Rotax
ILLUSTRATED PARTS CATALOG

Chapter: 61-20-00

ARRANGEMENT FOR CONSTANT SPEED AND FIXED PITCH PROPELLER

ITEM#	STATUS	PART#	DESCRIPTION	916 iSc A	916 iS A	916 iSc C24	916 iS C24
01		810310	OIL INLET FLANGE	1	1	1	1
02		430175	O-RING - 46X3-N. FPM 75	1	1	1	1
03		830415	O-RING - 7X2-N. FPM 75	2	2	2	2
04		832953	NEEDLE BEARING RNA 49/32 40-52-20	1	1	1	1
05		227280	THRUST WASHER	2	2	2	2
06		940316	COUNTERSUNK SCREW M5X12-5.8	2	2	2	2
07		832363	BALL BEARING 16002 C3 PAB4F	1	1	1	1
08		834245	VACUUM PUMP GEAR 22 T	1	1	1	1
09		941522	ALLEN SCREW - M8X16	1	1	1	1
10		232925	NEEDLE SLEEVE 22X28X12	1	1	1	1
11		847773	DRIVE SLEEVE	1	1	1	1
12		847802	SPACER 25/31.95/13	1	1	1	1
13		950380	O-RING -32X4-N. FPM 75	1	1	1	1
14		810070	GOVERNOR FLANGE	1	1	1	1
15		941611	PLUG SCREW M8X1	2	2	2	2
16		241935	ALLEN SCREW - M6x20	4	4	4	4
17		241237	ALLEN SCREW - M6x16	2	2	2	2
18		956460	PRESSURE OIL LINE ASSY.	1	1	1	1
19		940876	BANJO BOLT M10X1X23	1	1	1	1
20		230150	SEALING RING A 10X14	5	5	5	5
21		940877	BANJO BOLT M10X1X34	1	1	1	1
22		853418	CABLE CLAMP	1	1	1	1
23		944131	WASHER - 8-300 HV	1	1	1	1
24		440854	EX./TORX-FLANGE SCREW M8X16-MK	1	1	1	1
25		840711	STUD M8X21/20 non certified SI-PAC-002 optional	4	4	4	4
26		945832	LOCK WASHER - A8-FST non certified SI-PAC-002 optional	4	4	4	4

BRP-Rotax
ILLUSTRATED PARTS CATALOG

Chapter: 61-20-00

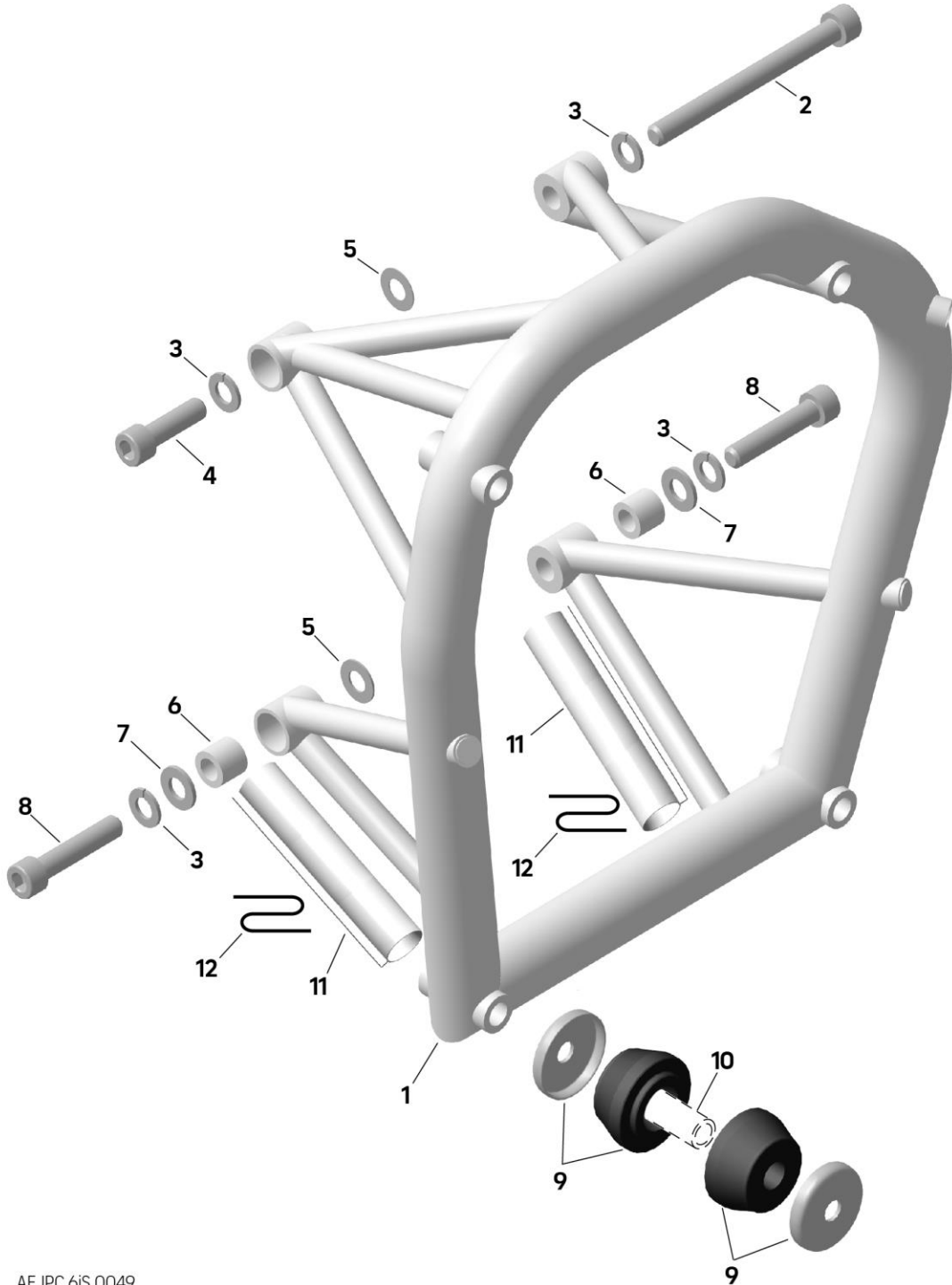
ARRANGEMENT FOR CONSTANT SPEED AND FIXED PITCH PROPELLER

ITEM#	STATUS	PART#	DESCRIPTION	916 iSc A	916 iS A	916 iSc C24	916 iS C24
27		942674	HEX. NUT M8 (WS 11mm) non certified SI-PAC-002 optional	4	4	4	4
28		931372	GASKET non certified SI-PAC-002	1	1	1	1
29		944222	BLINDING SHIM Configuration 2	1	1	1	1
30		430061	O-RING - 26.7X1.8-N. HNBR 70 Configuration 2	1	1	1	1
31		810321	OIL INLET FLANGE	1	1	1	1
32		241237	ALLEN SCREW - M6x16 Configuration 2	2	2	2	2
33		956465	GEARBOX OIL LINE ASSY. Configuration 2	1	1	1	1
34		XXX	GOVENOR CABLE KIT see chapter 73-10-00 non certified SI-PAC-003	1	1	1	1
35		241073	BANJO BOLT M10X1X19	1	1	1	1
36		440867	HEX./TORX-FLANGE SCREW M8X35-SW10/T40 Alternative to goveror attachment. Instead of 25. 26 and 27 non certified optional	4	4	4	4

BRP-Rotax
ILLUSTRATED PARTS CATALOG

This page intentionally left blank

Chapter: 71-20-00
ENGINE SUSPENSION FRAME



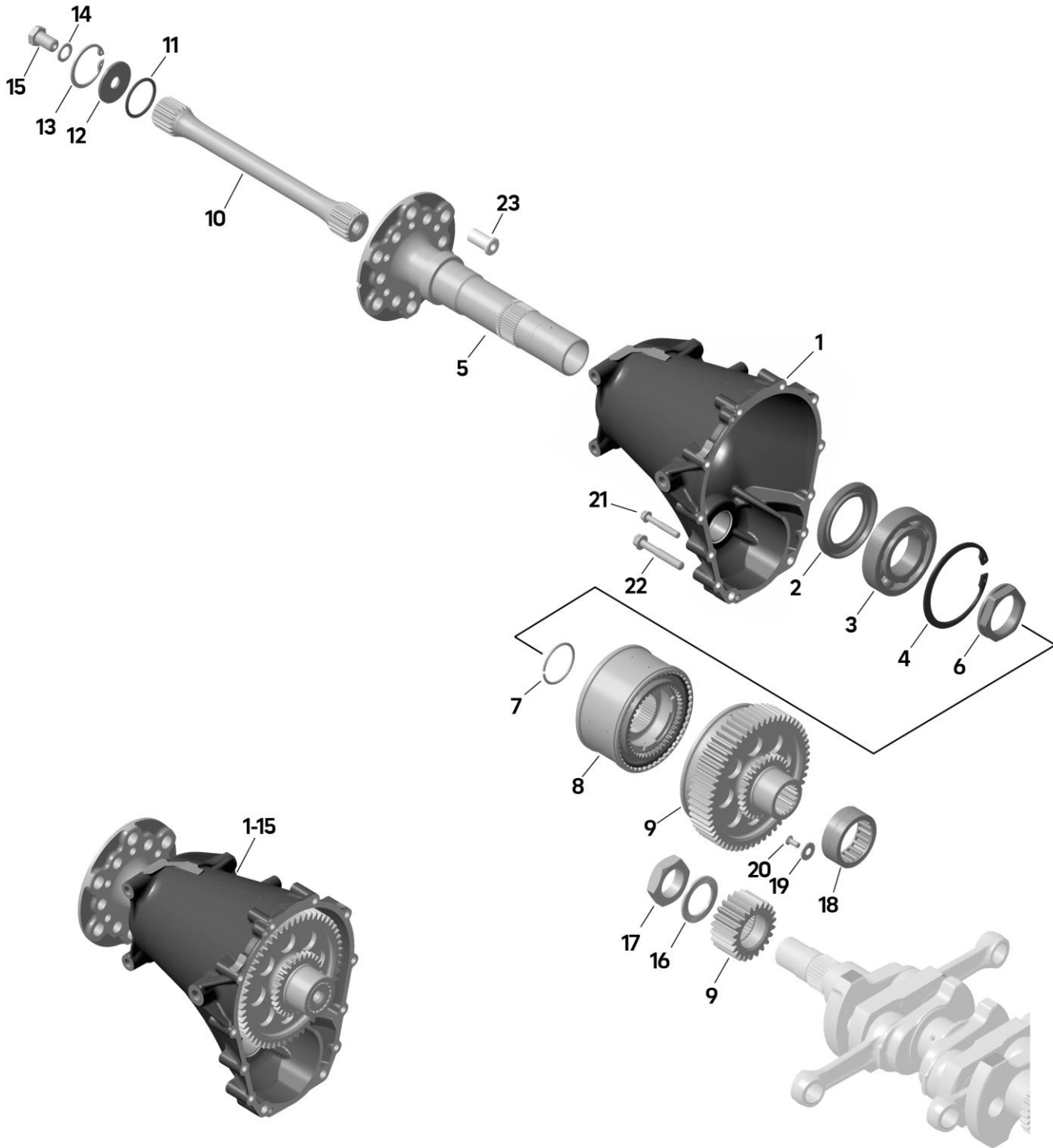
AE_IPC_6iS_0049

BRP-Rotax
ILLUSTRATED PARTS CATALOG

Chapter: 71-20-00
ENGINE SUSPENSION FRAME

ITEM#	STATUS	PART#	DESCRIPTION	916 iSc A	916 iS A	916 iSc C24	916 iS C24
01		886563	ENGINE SUSPENSION FRAME ASSY.	1	1	1	1
02		941487	ALLEN SCREW - M10X110	1	1	1	1
03		945833	LOCK WASHER A10	4	4	4	4
04		840948	ALLEN SCREW - M10X35	1	1	1	1
05		927954	THRUST WASHER 10.1/20/1.5 as required	1	1	1	1
05		927953	THRUST WASHER 10.1/20/1.0 as required	1	1	1	1
05		927952	THRUST WASHER 10.1/20/0.5 as required	1	1	1	1
06		847841	SPACER 10.5/17/15	2	2	2	2
07		927411	WASHER 10.5	2	2	2	2
08		640572	ALLEN SCREW - M10X50	2	2	2	2
09		860695	SHOCK MOUNT SET non certified SI-PAC-004 optional	1	1	1	1
10		XXX	STRUT not available at BRP-Rotax non certified SI-PAC-004	4	4	4	4
11		860653	PROTECTION TUBE HEAT RESISTANT 110 MM 110 mm	2	2	2	2
11		860650	PROTECTION TUBE (HEAT RESISTANT) non certified as required in a roll	1	1	1	1
12		297555	SAFETY WIRE 0.8 non certified as required in a roll not with Form 1 available	1	1	1	1

Chapter: 72-10-00
PROPELLER GEAR ASSY.



AE_IPC_6iS_0036

BRP-Rotax
ILLUSTRATED PARTS CATALOG

Chapter: 72-10-00
PROPELLER GEAR ASSY.

ITEM#	STATUS	PART#	DESCRIPTION	916 iSc A	916 iS A	916 iSc C24	916 iS C24
01		XXX	PROPELLER GEAR ASSY. Ill. no. 1-15	1	1	1	1
01		911988	GEARBOX HOUSING ASSY.	1	1	1	1
02		950091	OIL SEAL AS 48X72X8 FKM	1	1	1	1
03		832062	B. BEARING 6208 TN9 C3PAB4F 40-80-18	1	1	1	1
04		845121	RETAINING RING 80X2.85	1	1	1	1
05		837228	PROPELLER SHAFT	1	1	1	1
06		942320	COLLAR NUT M40X1.5 LH	1	1	1	1
07		245935	RETAINING RING - 38	1	1	1	1
08		958419	DAMPING CLUTCH ASSY.	1	1	1	1
09		958425	OVERLOAD CLUTCH ASSY.	1	1	1	1
10	N	837206	TORSION SHAFT	1	1	1	1
10		837202	TORSION SHAFT not available	1	1	1	1
11		230915	O-RING - 33X3-N. FPM 75	1	1	1	1
12		827472	SEALING WASHER 40x12.1x2.5 Configuration 2	1	1	1	1
13		945880	RETAINING RING 40X1.75	1	1	1	1
14		250646	SEALING RING - A 12X18-CU	1	1	1	1
15		841155	HEX. SCREW - M12X20 - A2-70 Configuration 3	1	1	1	1
15		841153	HEX. SCREW - M12X20 - A2-70 Configuration 2	1	1	1	1
16		845431	FRICTION WASHER VS30	1	1	1	1
17		842579	HEX. NUT M30X1.5 12MM. LH	1	1	1	1
18		832953	NEEDLE BEARING RNA 49/32 40-52-20 see chapter 61-20-00	1	1	1	1
19		227280	THRUST WASHER see chapter 61-20-00	1	1	1	1
20		940316	COUNTERSUNK SCREW M5X12-5.8 see chapter 61-20-00	1	1	1	1
21		440282	SK/TORX-FLANGE SCREW M6X40-SW8/T30	10	10	10	10
22		940077	HEX./TORX-FLANGE SCREW M8X45-SW10/T40	2	2	2	2

BRP-Rotax
ILLUSTRATED PARTS CATALOG

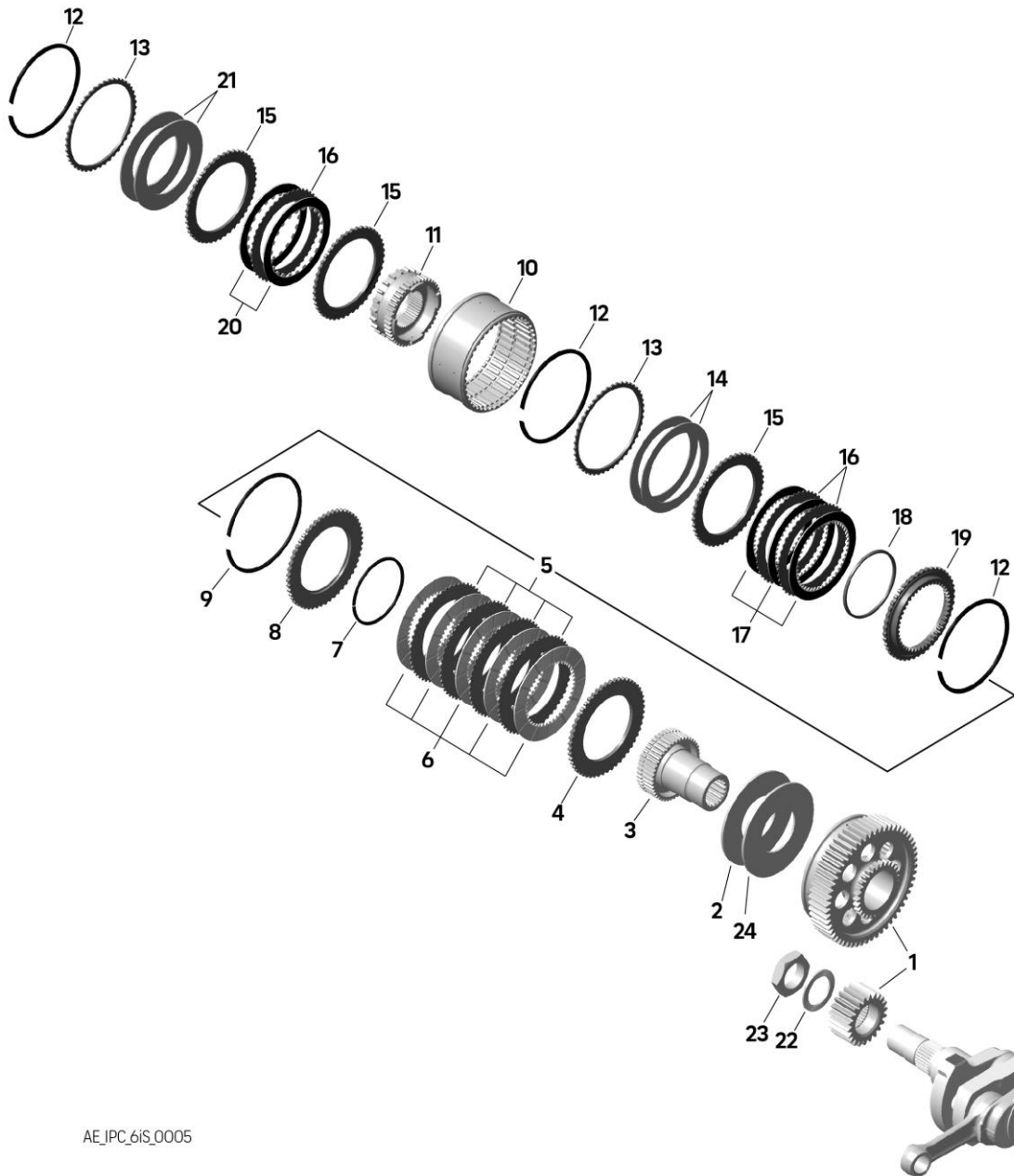
Chapter: 72-10-00
PROPELLER GEAR ASSY.

ITEM#	STATUS	PART#	DESCRIPTION	916 iSc A	916 iS A	916 iSc C24	916 iS C24
23		842634	ROUND-NECK NUT SET M8 do not use with auxiliary alternator. only available as set optional	1	1	1	1

BRP-Rotax
ILLUSTRATED PARTS CATALOG

This page intentionally left blank

Chapter: 72-10-00
OVERLOAD CLUTCH, DAMPER CLUTCH



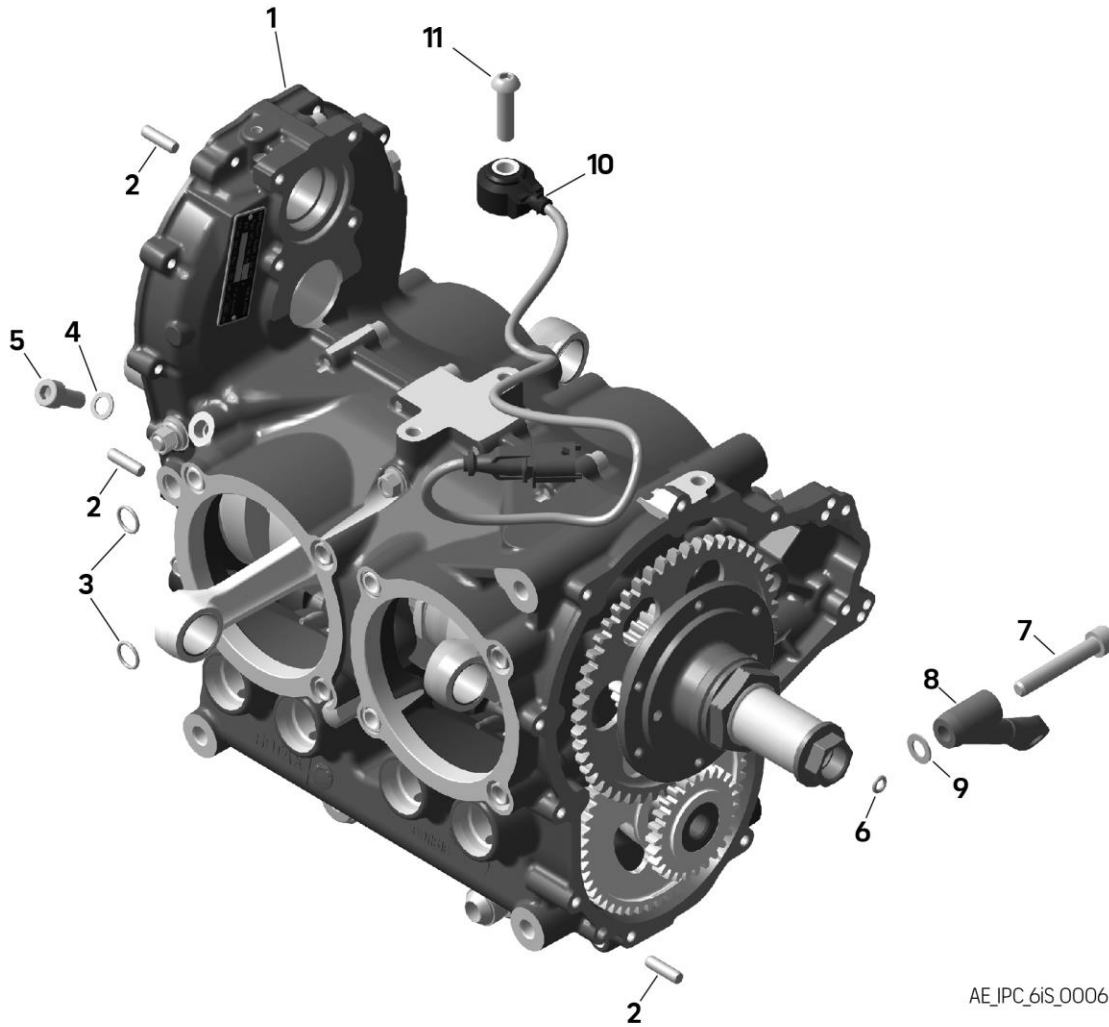
AE_IPC_6iS_0005

BRP-Rotax
ILLUSTRATED PARTS CATALOG

Chapter: 72-10-00
OVERLOAD CLUTCH, DAMPER CLUTCH

ITEM#	STATUS	PART#	DESCRIPTION	916 iSc A	916 iS A	916 iSc C24	916 iS C24
01		886081	GEAR SET I 2.54	1	1	1	1
01		958425	OVERLOAD CLUTCH ASSY. Ill. no. 1-9. 24	1	1	1	1
02		938092	DISK SPRING 102X49X2.9	1	1	1	1
03		837233	INTERMEDIATE SHAFT	1	1	1	1
04		958400	STEEL FRICTION PLATE 4.0 MM	1	1	1	1
05		958160	STEEL FRICTION PLATE 1.0 MM	4	4	4	4
06	N	958178	SINTER FRICTION PLATE 1.8 MM	5	5	5	5
07		945080	CIRCLIP SW 68	1	1	1	1
08		958402	STEEL FRICTION PLATE 4.0 MM	1	1	1	1
09		945075	CIRCLIP SB 105	1	1	1	1
10		958043	CLUTCH DRUM	1	1	1	1
10		958419	DAMPING CLUTCH ASSY. Ill. no. 10-21	1	1	1	1
11		958023	CLUTCH HUB	1	1	1	1
12		945070	CIRCLIP SB 93	3	3	3	3
13		927021	SUPPORT RING	2	2	2	2
14		938098	DISK SPRING 91.5X71X1.5	2	2	2	2
15		959420	STEEL FRICTION PLATE 3.0 MM	3	3	3	3
16		958932	STEEL FRICTION PLATE 1.0 MM	3	3	3	3
17		958993	FRICTION PLATE 1.54 MM	3	3	3	3
18		847895	SPACER RING 69/64.1/3.0	1	1	1	1
19		958103	DRIVING COLLAR	1	1	1	1
20		958994	FRICTION PLATE 1.54 MM	2	2	2	2
21		938099	DISK SPRING 91.5X60X2.1	2	2	2	2
22		845431	FRICTION WASHER VS30	1	1	1	1
23		842579	HEX. NUT M30X1.5 12MM. LH	1	1	1	1
24		938093	DISK SPRING 102X49X3.1	1	1	1	1

Chapter: 72-20-00
CRANKCASE



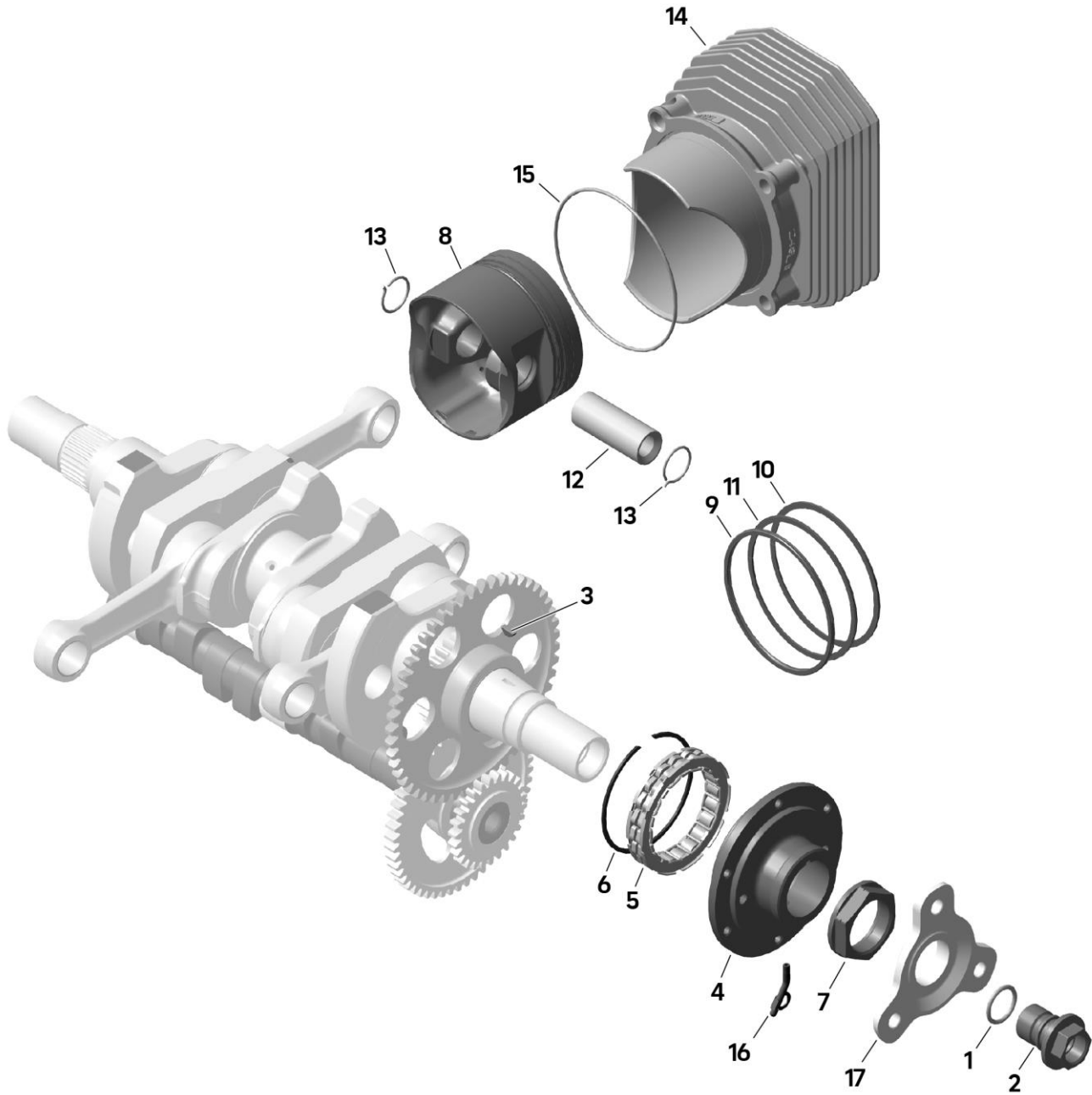
AE_IPC_6iS_0006

BRP-Rotax
ILLUSTRATED PARTS CATALOG

Chapter: 72-20-00
CRANKCASE

ITEM#	STATUS	PART#	DESCRIPTION	916 iSc A	916 iS A	916 iSc C24	916 iS C24
01		XXX	ENGINE BLOCK with crankshaft. freewheel	1	1	1	1
02		429230	DOWEL 6X20	2	2	2	2
03		431570	O-RING - 10.82X1.78-N. FPM 70	8	8	8	8
04		950141	SEALING RING A 8X13	1	1	1	1
05		240072	ALLEN SCREW - M8x20	1	1	1	1
06		831929	O-RING - 5X2-N. FPM 75	1	1	1	1
07		440107	ALLEN SCREW - M8X50	1	1	1	1
08		953306	MANIFOLD BRACKET ASSY. see chapter 78-10-00	1	1	1	1
09		926401	WASHER 8.4/15/1 see chapter 78-10-00	1	1	1	1
10		866270	KNOCK SENSOR	1	1	1	1
11		570661	LENS HEAD SCREW - M8X30	1	1	1	1

Chapter: 72-20-00
CRANKSHAFT, PISTON, CYLINDER, SPRANG CLUTCH



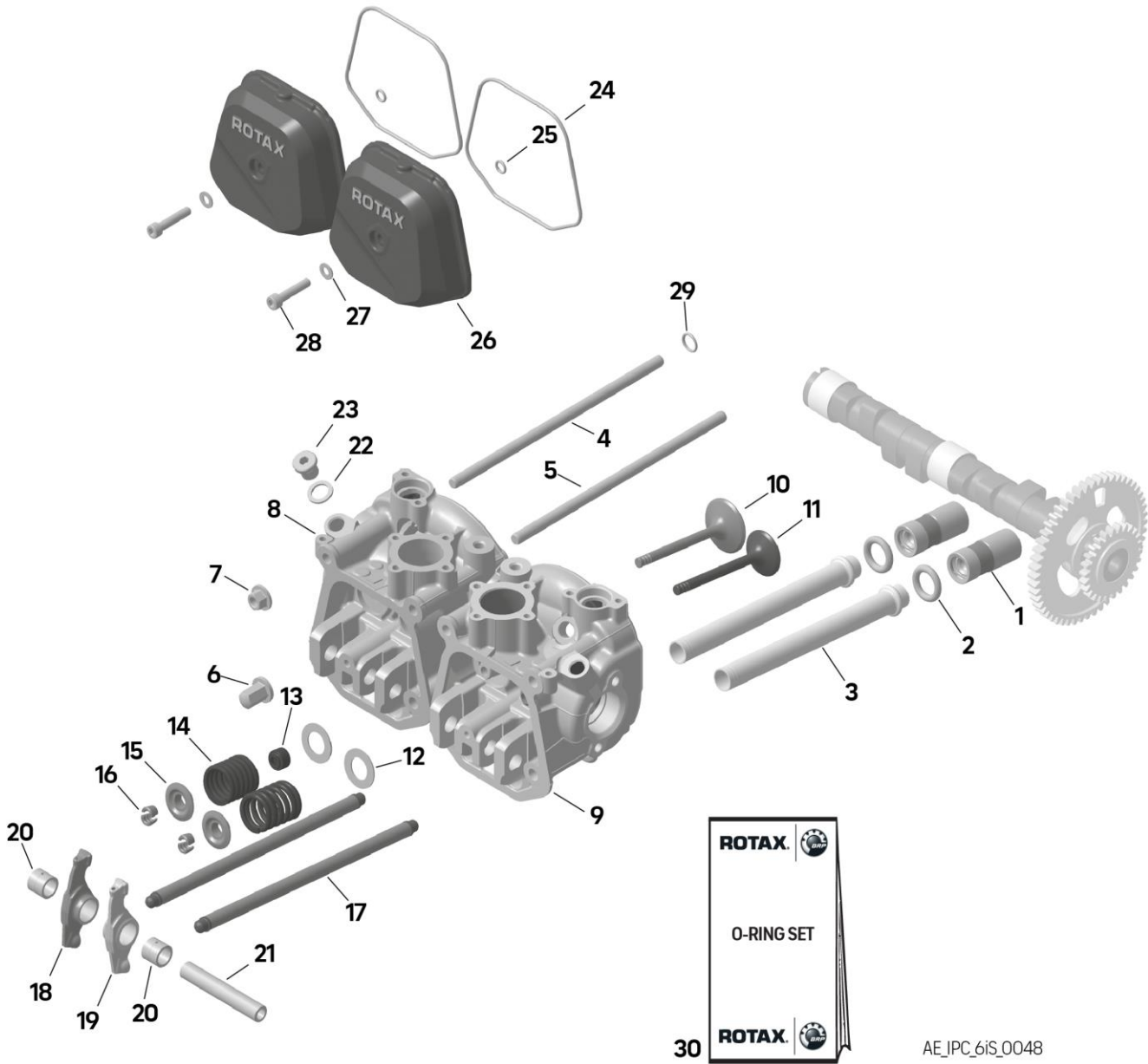
AE_IPC_6iS_0007

BRP-Rotax
ILLUSTRATED PARTS CATALOG

Chapter: 72-20-00
CRANKSHAFT, PISTON, CYLINDER, SPRANG CLUTCH

ITEM#	STATUS	PART#	DESCRIPTION	916 iSc A	916 iS A	916 iSc C24	916 iS C24
01		430225	O-RING - 15.9X2.3-N. FPM 75	1	1	1	1
02		940526	PLUG SCREW M20X1.5	1	1	1	1
03		246055	WOODRUFF KEY 3X3.7	1	1	1	1
04		852409	SPRAG CLUTCH HOUSING	1	1	1	1
05		958856	SPRAG CLUTCH 51.710X68.377X13	1	1	1	1
06		845425	CIRCLIP 70	1	1	1	1
07		942250	HEX. NUT M32X1.5-LH	1	1	1	1
08		893929	PISTON ASSY. 84/84.01 MM	4	4	4	4
09		815230	OIL SCRAPER RING	4	4	4	4
10		815257	RECTANGULAR RING 84/77X1.5	4	4	4	4
11		815280	TAPERED COMPRESSION RING 84	4	4	4	4
12		916380	PISTON PIN 20X12X51.3	4	4	4	4
13		845106	MONOHOOK CIRCLIP 20	8	8	8	8
14		913229	CYLINDER	4	4	4	4
15		250510	O-RING - 87X2-N. FPM 75 OIL	4	4	4	4
16		456540	SPRAY NOZZLE ASSY.	1	1	1	1
17		953978	GENERATOR FLANGE SI-PAC-023 non certified optional	1	1	1	1

Chapter: 72-20-00
CAMSHAFT, VALVE TRAIN, CYLINDER HEAD, VALVE COVER



BRP-Rotax
ILLUSTRATED PARTS CATALOG

Chapter: 72-20-00
CAMSHAFT, VALVE TRAIN, CYLINDER HEAD, VALVE COVER

ITEM#	STATUS	PART#	DESCRIPTION	916 iSc A	916 iS A	916 iSc C24	916 iS C24
01		854099	HYDRAULIC VALVE TAPPET ASSY. only available as set	8	8	8	8
01		881832	HYDRAULIC VALVE TAPPET SET	1	1	1	1
02		850930	O-RING - 16X5-N. FPM 75 GREEN	8	8	8	8
03		924440	OIL RETURN TUBE	8	8	8	8
04		840171	STUD M8X200	8	8	8	8
05		840141	STUD M8X186	8	8	8	8
06		842476	COLLAR CAP NUT M8	8	8	8	8
07		942302	COLLAR NUT M8	8	8	8	8
08		623756	CYLINDERHEAD 2/3 ASSY.	2	2	2	2
09		623766	CYLINDERHEAD 1/4 ASSY.	2	2	2	2
10		854101	INTAKE VALVE 38 MM	4	4	4	4
11		854113	EXHAUST VALVE 32MM	4	4	4	4
12		926210	SHIM 16/27.4/1	8	8	8	8
13		230810	VALVE STEM SEAL	4	4	4	4
14		838156	VALVE SPRING	8	8	8	8
15		854188	VALVE SPRING RETAINER	8	8	8	8
16		253092	VALVE COTTER	16	16	16	16
17		854862	VALVE PUSH-ROD ASSY.	8	8	8	8
18		854387	ROCKER ARM LEFT	4	4	4	4
19		854397	ROCKER ARM RIGHT	4	4	4	4
20		933396	BUSHING	8	8	8	8
21		854193	ROCKER ARM SHAFT	4	4	4	4
22		250016	SEALING RING A12X18	3	3	3	3
23		841923	PLUG SCREW M12X1.5	3	3	3	3
24		250285	O-RING - 105X2.5-N. FPM 75	4	4	4	4
25		430205	O-RING - 6.4X1.8-N. FPM 75	4	4	4	4
26		612268	VALVE COVER GREY	4	4	4	4
27		927941	WASHER 6.0/12/1	4	4	4	4
28		840887	ALLEN SCREW - M6X30	4	4	4	4
29		431570	O-RING - 10.82X1.78-N. FPM 70	8	8	8	8
30		881920	O-RING SET	1	1	1	1

Chapter: 73-10-00
INTAKE MANIFOLD, AIRBOX, THROTTLE BODY SOCKET



AE_IPC_6iS_0009

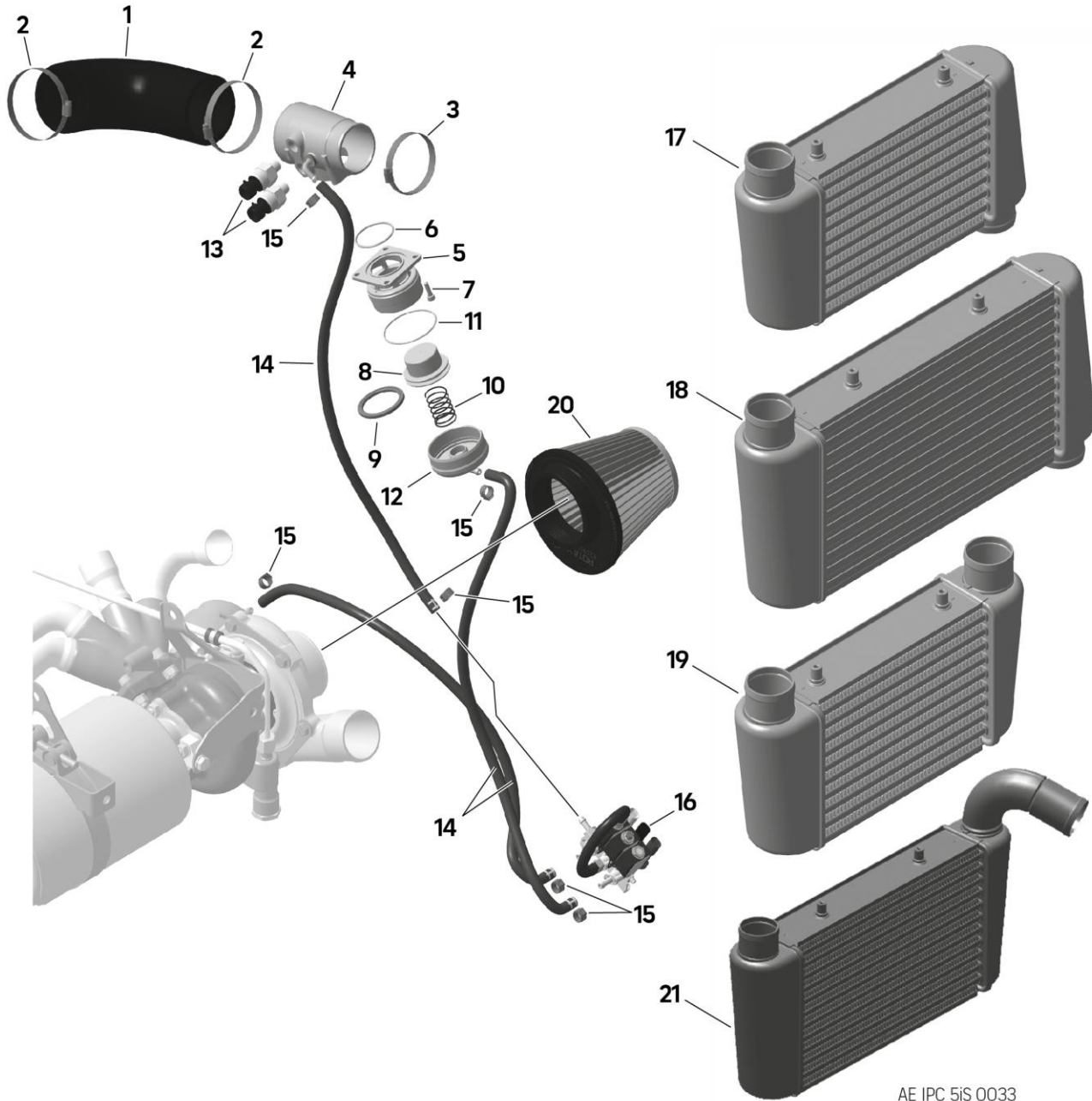
BRP-Rotax
ILLUSTRATED PARTS CATALOG

Chapter: 73-10-00

INTAKE MANIFOLD, AIRBOX, THROTTLE BODY SOCKET

ITEM#	STATUS	PART#	DESCRIPTION	916 iSc A	916 iS A	916 iSc C24	916 iS C24
01		667401	INTAKE MANIFOLD 1/3	1	1	1	1
02		667406	INTAKE MANIFOLD 2/4	1	1	1	1
03		850091	ISOLATING FLANGE	2	2	2	2
04		440207	HEX./TORX-FLANGE SCREW M6X20-SW8/T30	8	8	8	8
05		460421	CONNECTING SOCKET	2	2	2	2
06		953093	1-EAR-CLAMP 66.3-69.5 MM	4	4	4	4
07		667418	AIRBOX	1	1	1	1
08		440164	HEX./TORX-FLANGE SCREW M6X16-SW8/T30 MK	7	7	7	7
09		840672	HOSE NIPPLE M6 MK	1	1	1	1
10		860700	RUBBER 20X10XM6	1	1	1	1
11		827968	WASHER 6.4	1	1	1	1
12		842042	LOCK NUT M6	1	1	1	1
13		850020	RUBBER RING	1	1	1	1
14		685056	THROTTLE BODY SOCKET ASSY.	1	1	1	1
15		953020	SEPARATING PLATE	3	3	3	3
16		651780	CONNECTOR BRACKET	1	1	1	1
17		250016	SEALING RING A12X18	2	2	2	2
18		222421	TEMPERATURE SENSOR	2	2	2	2
19		664364	PRESSURE SENSOR 2.0	2	2	2	2
20		638140	CLAMP	2	2	2	2
21		951564	CONNECTOR BRACKET	1	1	1	1
22		874654	PRESSURE-/TEMP. SENSOR Ambient pressure and temperature	2	2	2	2
23		850610	CONNECTOR GASKET	2	2	2	2
24		440000	FIXING SCREW ASSY. screw. nut and washers	1	1	1	1

Chapter: 73-10-00
INTERCOOLER, WASTEGATE



AE_IPC_5iS_0033

BRP-Rotax
ILLUSTRATED PARTS CATALOG

Chapter: 73-10-00
INTERCOOLER, WASTEGATE

ITEM#	STATUS	PART#	DESCRIPTION	916 iSc A	916 iS A	916 iSc C24	916 iS C24
01		201015	AIR INTAKE HOSE	1	1	1	1
02		951791	CLAMP 50-70	2	2	2	2
03		853381	CLAMP 40-60	4	4	4	4
04		481540	POP OFF VALVE ASSY. Ill. no. 4-12	1	1	1	1
04		947785	REDUCTION SLEEVE ASSY. with impulse elbow integrated	1	1	1	1
05		812382	VALVE HOUSING	1	1	1	1
06		431740	O-RING - 38X2.4-N. VITON GLT 70	1	1	1	1
07		840514	ALLEN SCREW - M5x16	4	4	4	4
08		667196	VALVE PISTON	1	1	1	1
09		631333	LIP SEAL NA SF 50-42-4.5	1	1	1	1
10		838372	COMPRESSION SPRING DM22 D1.5 L50	1	1	1	1
11		450390	O-RING - 54X2-N. FPM	1	1	1	1
12		812395	VALVE COVER ASSY. with impulse elbow integrated	1	1	1	1
13		664364	PRESSURE SENSOR 2.0	2	2	2	2
14		874338	CONTROL HOSE 600 MM	3	3	3	3
14		874334	FUEL HOSE 6X11 non certified as required in a roll	1	1	1	1
15		851468	1-EAR-CLAMP 10.3-12.8 MM	6	6	6	6
16		664639	SOLENOID VALVE	1	1	1	1
17		888962	INTERCOOLER SI-PAC-005	1	1	1	1
18		888963	INTERCOOLER non certified SI-PAC-005 optional	1	1	1	1
19		888965	INTERCOOLER non certified SI-PAC-005 optional	1	1	1	1

BRP-Rotax
ILLUSTRATED PARTS CATALOG

Chapter: 73-10-00
INTERCOOLER, WASTEGATE

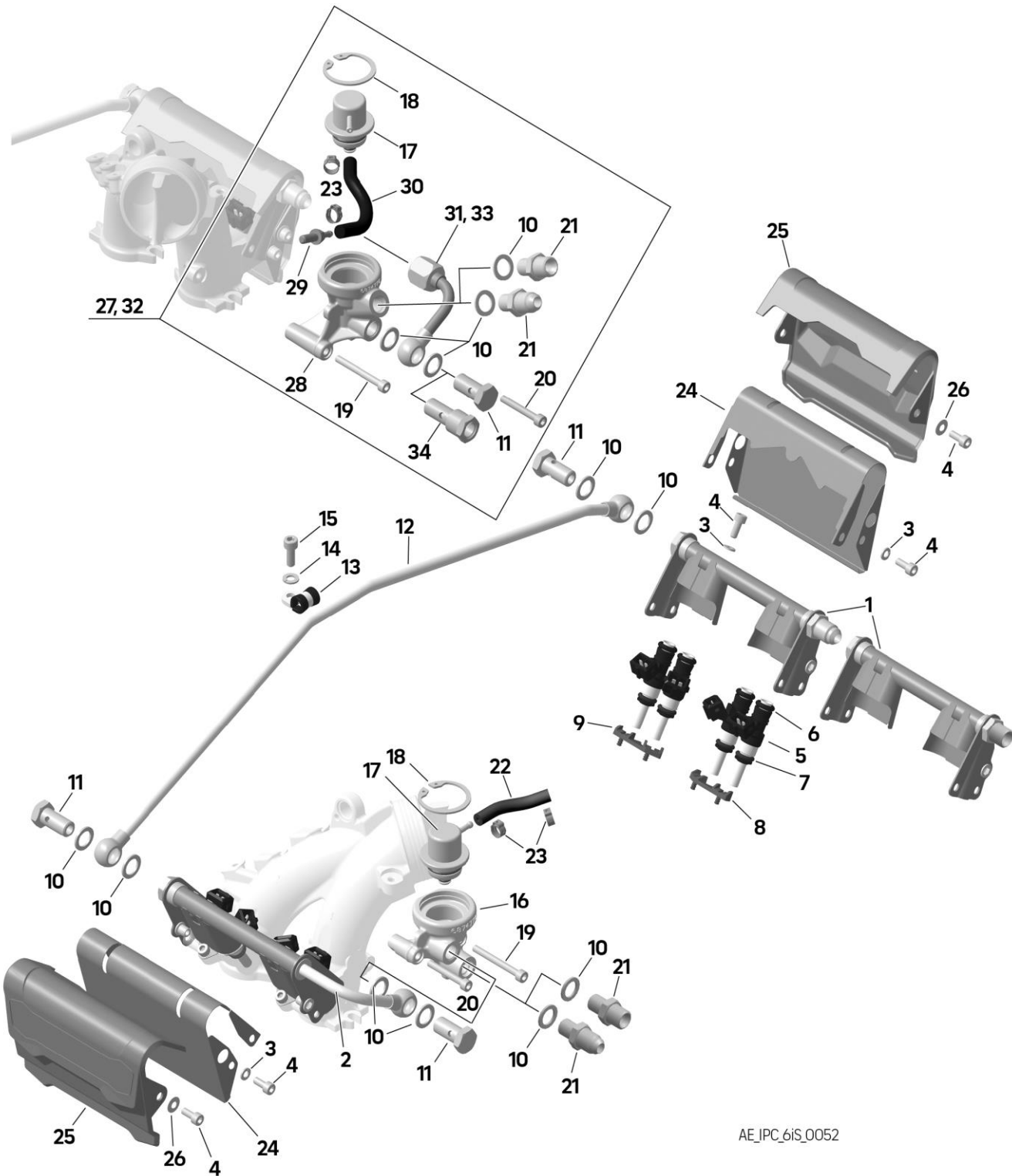
ITEM#	STATUS	PART#	DESCRIPTION	916 iSc A	916 iS A	916 iSc C24	916 iS C24
20		825900	AIR FILTER non certified SI-PAC-006 optional	1	1	1	1
21		888967	INTERCOOLER non certified SI-PAC-005 optional	1	1	1	1

BRP-Rotax
ILLUSTRATED PARTS CATALOG

This page intentionally left blank

Chapter: 73-10-00

FUEL INJECTOR, FUEL RAIL, PRESSURE REGULATOR, FUEL RAIL COVER



AE_IPC_6iS_0052

BRP-Rotax
ILLUSTRATED PARTS CATALOG

Chapter: 73-10-00

FUEL INJECTOR, FUEL RAIL, PRESSURE REGULATOR, FUEL RAIL COVER

ITEM#	STATUS	PART#	DESCRIPTION	916 iSc A	916 iS A	916 iSc C24	916 iS C24
01		874799	FUELRAIL 1/3 Thread M14x1.5 optional	1	1	1	1
01		874795	FUELRAIL 1/3 Thread 9/16 18 UNF optional	1	1	1	1
02		874797	FUELRAIL 2/4	1	1	1	1
03		945750	LOCK WASHER A5	11	11	11	11
04		640542	ALLEN SCREW - M5x12	11	11	11	11
05		874780	FUEL INJECTOR Ill. no. 5-7	8	8	8	8
06		831060	O-RING 7.52X3.51 VITON B BLACK	8	8	8	8
07		831050	O-RING 8.30X3.05 VITON B BROWN	8	8	8	8
08		860042	DAMPER LEFT	2	2	2	2
09		860040	DAMPER RIGHT	2	2	2	2
10		250646	SEALING RING - A 12X18-CU	7	7	7	7
11		641543	BANJO BOLT - 8 - 3 - V	3	3	3	3
12		874802	FUEL LINE ASSY.	1	1	1	1
13		853412	CABLE CLAMP	1	1	1	1
14		945831	LOCK WASHER - A6-FST	1	1	1	1
15		241239	ALLEN SCREW - M6X16	1	1	1	1
16		874770	PRESSURE REGULATOR HOUSING	1	1	1	1
17		889262	FUEL PRESSURE REGULATOR ASSY.	1	1	1	1
18		845650	RETAINING RING 36X1.5	1	1	1	1
19		941792	ALLEN SCREW - M5x45	1	1	1	1
20		841502	ALLEN SCREW - M5x35	1	1	1	1
21		840700	ADAPTER 9/16 UNF/M12x1.5 optional	1	1	1	1
21		856821	ADAPTER M14x1.5/M12x1.5 optional	1	1	1	1
22		960631	TUBE 60 MM	1	1	1	1
23		853653	1-EAR-CLAMP 8.3-10 MM	2	2	2	2
24		975090	HEAT SHIELD	2	2	2	2
25		975069	COVERING FUELRAIL	2	2	2	2
26		939445	SPRING WASHER 12X5.2X0.5	4	4	4	4

BRP-Rotax
ILLUSTRATED PARTS CATALOG

Chapter: 73-10-00

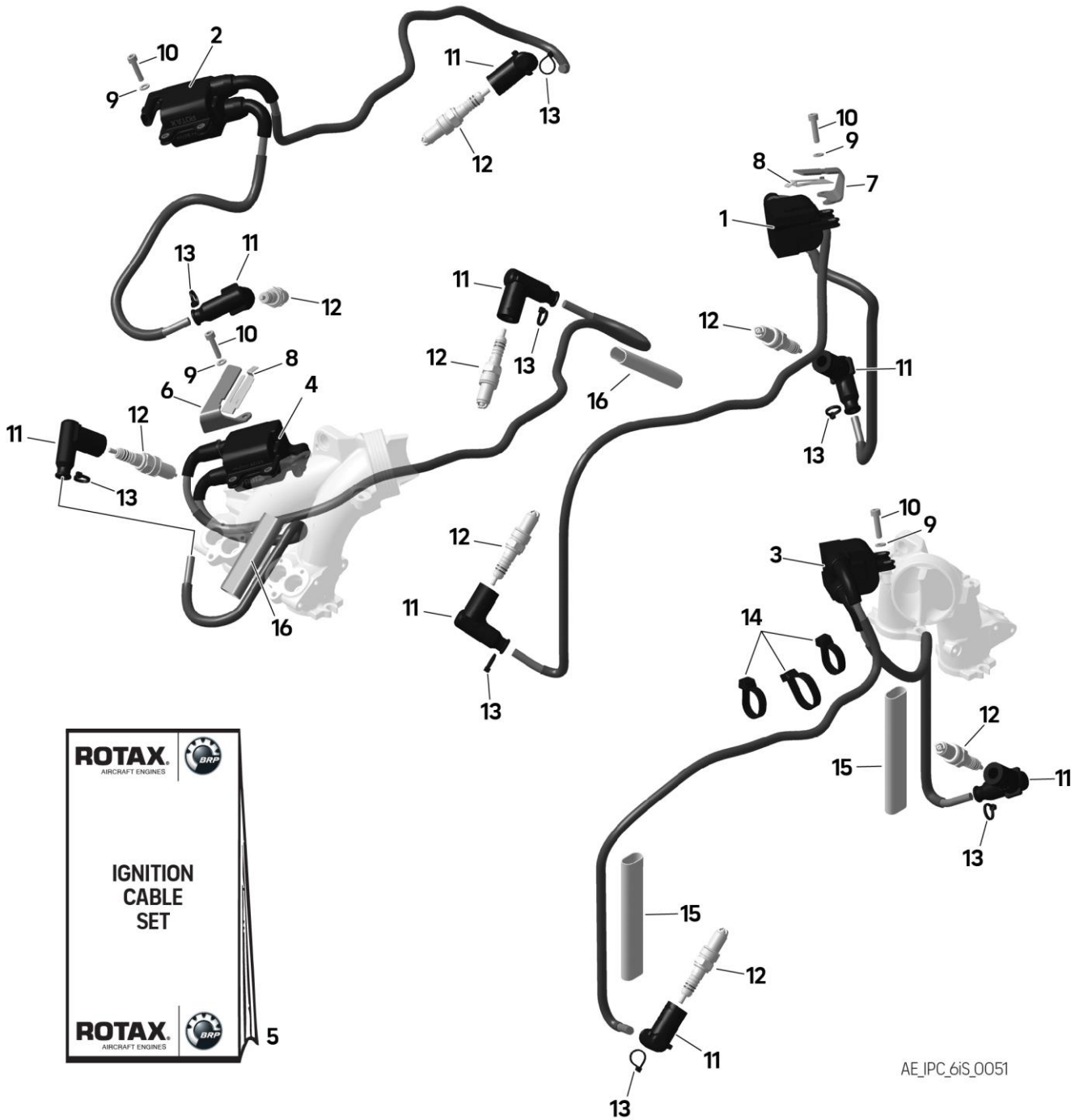
FUEL INJECTOR, FUEL RAIL, PRESSURE REGULATOR, FUEL RAIL COVER

ITEM#	STATUS	PART#	DESCRIPTION	916 iSc A	916 iS A	916 iSc C24	916 iS C24
27		889275	FUEL PRESSURE DAMPER UNF Ill. no. 10-11. 17-21. 23. 28-30. 31 non certified optional	1	1	1	1
28		874775	PRESSURE DAMPER HOUSING non certified	1	1	1	1
29		840675	HOSE NIPPLE M6	1	1	1	1
30		960632	TUBE 100 +/-3 MM non certified	1	1	1	1
31		874875	FUEL LINE ASSY. 1/3 - UNF non certified	1	1	1	1
32		889277	FUEL PRESSURE DAMPER METRIC Ill. no. 10-11. 17-21. 23. 28-30. 33 non certified optional	1	1	1	1
33		874877	FUEL LINE ASSY. 1/3 - METRIC non certified	1	1	1	1
34		841131	SENSOR BANJO BOLT - M12X1.5 For connection of fuel pressure with M12x1.5	1	1	1	1

This page intentionally left blank

Chapter: 74-20-00

IGNITION COILS, IGNITION CABLE, SPARK PLUG CONNECTOR, SPARK PLUG



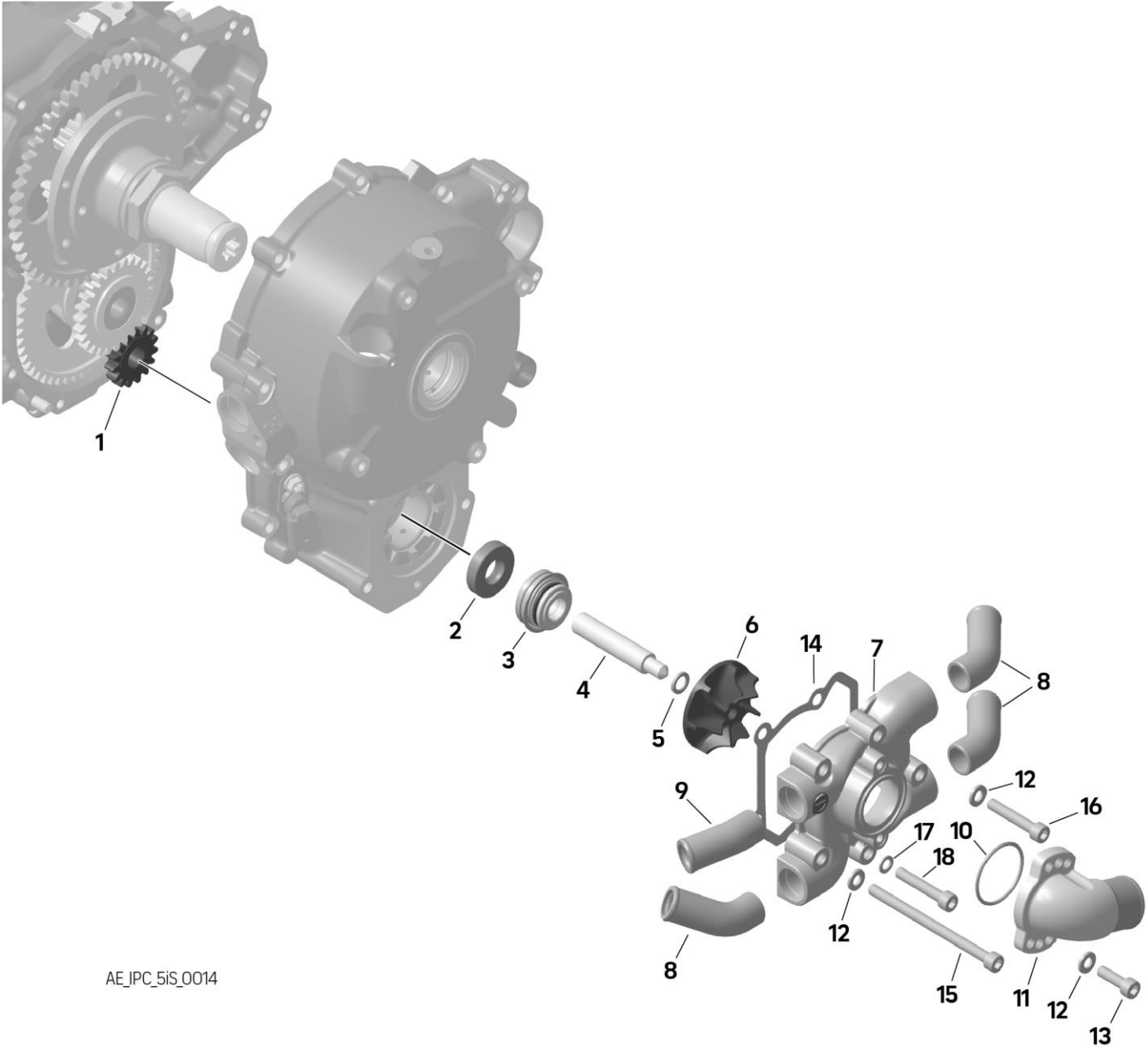
BRP-Rotax
ILLUSTRATED PARTS CATALOG

Chapter: 74-20-00

IGNITION COILS, IGNITION CABLE, SPARK PLUG CONNECTOR, SPARK PLUG

ITEM#	STATUS	PART#	DESCRIPTION	916 iSc A	916 iS A	916 iSc C24	916 iS C24
01		864660	DOUBLE IGNITION COIL 1 ASSY. with TYCO connector. including 2 ignition cables. 2 protective caps and 2 protection hoses	1	1	1	1
02		864661	DOUBLE IGNITION COIL 2 ASSY. with TYCO connector. including 2 ignition cables. 2 protective caps and 2 protection hoses	1	1	1	1
03		864662	DOUBLE IGNITION COIL 3 ASSY. with TYCO connector. including 2 ignition cables. 2 protective caps and 2 protection hoses	1	1	1	1
04		864663	DOUBLE IGNITION COIL 4 ASSY. with TYCO connector. including 2 ignition cables. 2 protective caps and 2 protection hoses	1	1	1	1
05		864688	IGNITION CABLE SET 8 ignition cable assy.. 8 protective cap and 8 protection hoses	1	1	1	1
06		951498	CONNECTOR BRACKET	1	1	1	1
07		951496	CONNECTOR BRACKET	1	1	1	1
08		251685	SPRING HOOK	2	2	2	2
09		945750	LOCK WASHER A5	8	8	8	8
10		441341	ALLEN SCREW - M5X20	8	8	8	8
11		265249	SPARK PLUG CONNECTOR	8	8	8	8
12		297656	SPARK PLUG 12	8	8	8	8
13		866718	TIE WRAP 94x2.5 MM	8	8	8	8
14		866716	TIE WRAP 203x7.6 MM	3	3	3	3
15		860734	GLASS FIBER-SILICON SHEATING 120	2	2	2	2
16		860736	GLASS FIBER-SILICON SHEATING 75	2	2	2	2

Chapter: 75-20-00
WATER PUMP WITH DRIVE



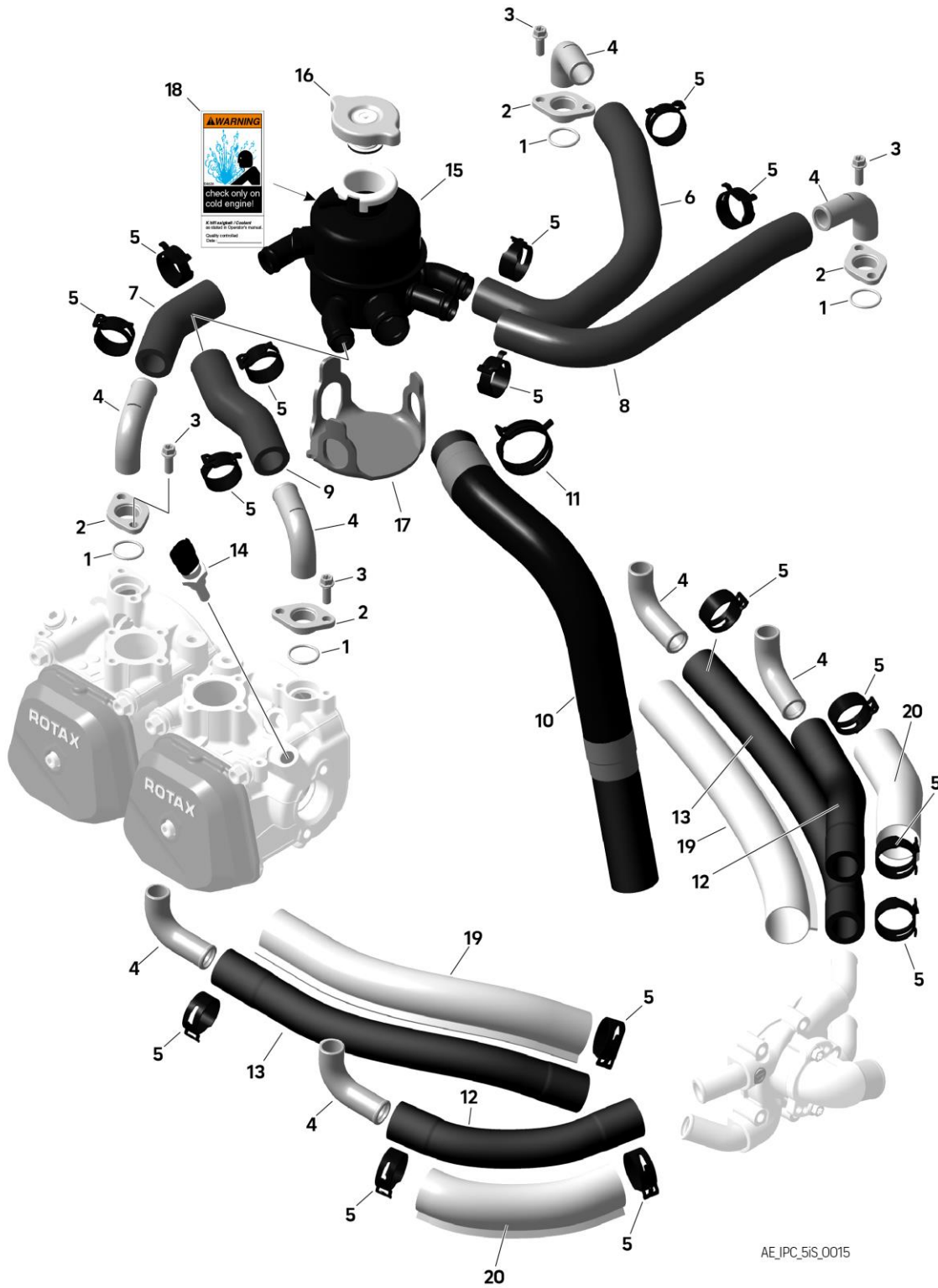
AE_IPC_5iS_0014

BRP-Rotax
ILLUSTRATED PARTS CATALOG

Chapter: 75-20-00
WATER PUMP WITH DRIVE

ITEM#	STATUS	PART#	DESCRIPTION	916 iSc A	916 iS A	916 iSc C24	916 iS C24
01		834136	WATER PUMP GEAR 15 T	1	1	1	1
02		850978	OIL SEAL BAUM1X7 12X30X7 FPM	1	1	1	1
03		850946	ROTARY SEAL	1	1	1	1
04		837112	PUMP SHAFT	1	1	1	1
05		926274	WASHER 8.2/12.5/1.5	1	1	1	1
06		922224	IMPELLER	1	1	1	1
07		922202	WATER PUMP HOUSING	1	1	1	1
08		922238	BENT SOCKET 45 DEGREES	3	3	3	3
09		922239	BENT SOCKET 20 DEGREES	1	1	1	1
10		230020	O-RING - 32X2-N	1	1	1	1
11		922218	WATER INLET ELBOW	1	1	1	1
12		827962	WASHER - A 6.4 - St	6	6	6	6
13		241935	ALLEN SCREW - M6x20	2	2	2	2
14		850981	GASKET	1	1	1	1
15		241482	ALLEN SCREW - M6x90	2	2	2	2
16		241814	ALLEN SCREW - M6X35	2	2	2	2
17		230415	SEALING RING A 6X10	1	1	1	1
18		241813	ALLEN SCREW - M6X35. STAINLESS	1	1	1	1

Chapter: 75-20-00
EXPANSION TANK WITH HOSES AND CONNECTIONS



BRP-Rotax
ILLUSTRATED PARTS CATALOG

Chapter: 75-20-00
EXPANSION TANK WITH HOSES AND CONNECTIONS

ITEM#	STATUS	PART#	DESCRIPTION	916 iSc A	916 iS A	916 iSc C24	916 iS C24
01		950180	O-RING - 19X2-N. MVQ 60	4	4	4	4
02		922303	FLANGE	4	4	4	4
03		440162	HEX./TORX-FLANGE SCREW M6X16-SW8/T30	8	8	8	8
04		922236	BENT SOCKET 80 DEGREES	8	8	8	8
05		851645	SELF COMPENSATING CLAMP 25 For silicone hoses part no. 851641 on expansion tank side	12	12	12	12
05		851645	SELF COMPENSATING CLAMP 25 For standard rubber hoses	16	16	16	16
05		851641	SELF COMPENSATING CLAMP 26 For silicone hoses part no. 851641 on expansion tank side	4	4	4	4
06		822423	FORM HOSE CYL.1 Silicone optional	1	1	1	1
06		822420	FORM HOSE 1 Standard EPDM	1	1	1	1
07		822433	FORM HOSE CYL.2 Silicone optional	1	1	1	1
07		822430	FORM HOSE 2 Standard EPDM	1	1	1	1
08		822440	FORM HOSE 3 Standard EPDM	1	1	1	1
08		822443	FORM HOSE CYL.3 Silicone optional	1	1	1	1
09		822448	FORM HOSE CYL.4 Silicone optional	1	1	1	1
09		822445	FORM HOSE 4 Standard EPDM	1	1	1	1
10		822450	FORM HOSE Standard EPDM	1	1	1	1

BRP-Rotax
ILLUSTRATED PARTS CATALOG

Chapter: 75-20-00

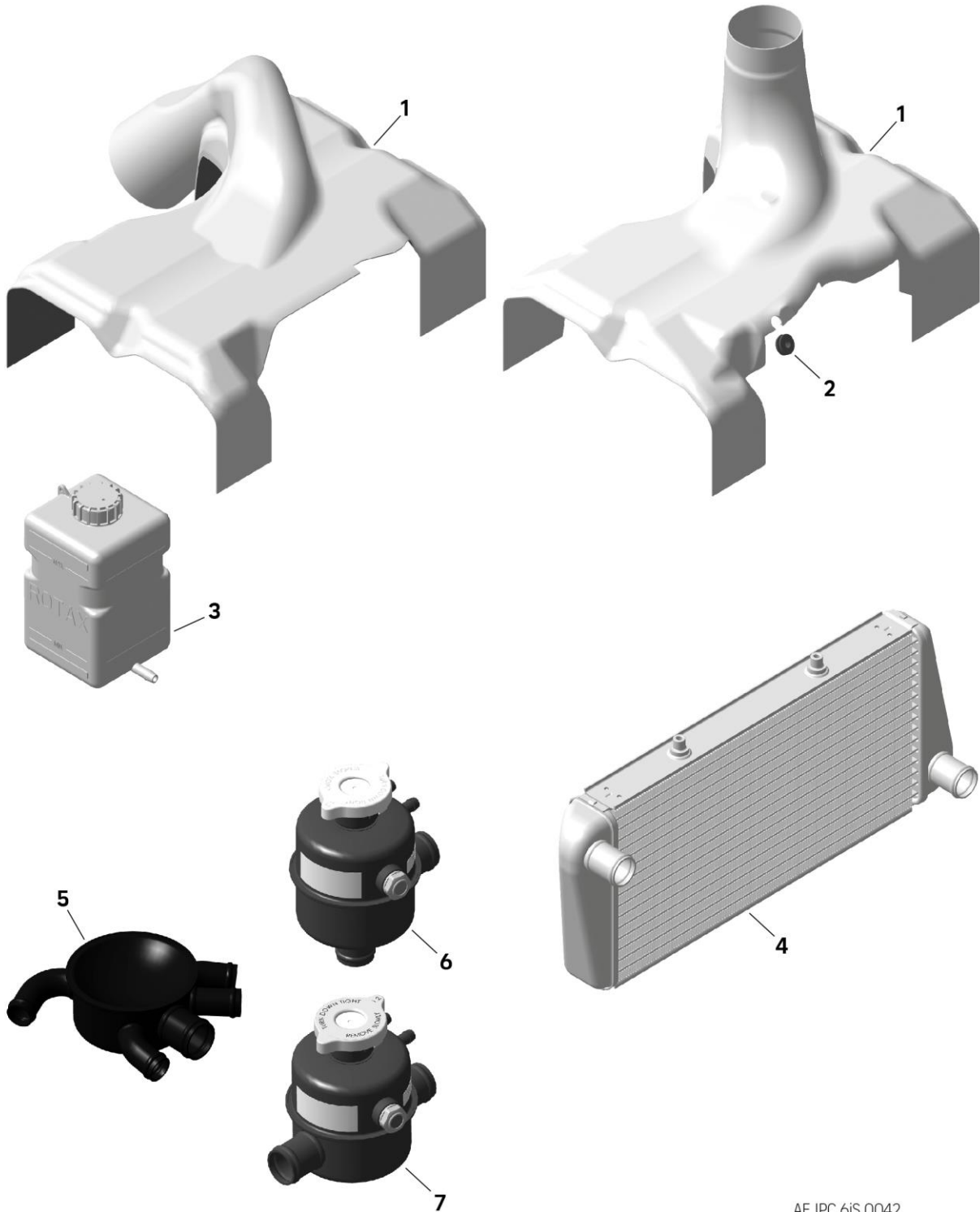
EXPANSION TANK WITH HOSES AND CONNECTIONS

ITEM#	STATUS	PART#	DESCRIPTION	916 iSc A	916 iS A	916 iSc C24	916 iS C24
10		822454	FORM HOSE 378 MM Silicone optional	1	1	1	1
11		951350	SELF COMPENSATING CLAMP 35	1	1	1	1
12		922360	WATER TUBE 180 +/-3 MM Standard EPDM	2	2	2	2
12		922368	WATER TUBE 180 +/-3 MM Silicone optional	2	2	2	2
13		922369	WATER TUBE 280 +/-3 MM Silicone optional	2	2	2	2
13		922362	WATER TUBE 280 +/-3 MM Standard EPDM	2	2	2	2
14		965537	TEMPERATURE SENSOR	1	1	1	1
15		922668	EXPANSION TANK ASSY. Ill. no. 15-18	1	1	1	1
16		922072	RADIATOR CAP WITH GASKET 1.2 BAR	1	1	1	1
17		860828	RUBBER PLATE	1	1	1	1
18		897506	WARNING LABEL	2	2	2	2
19		860651	PROTECTION TUBE HEAT RESISTANT 230 MM	2	2	2	2
19		860650	PROTECTION TUBE (HEAT RESISTANT) as required non certified in a roll	1	1	1	1
20		860654	PROTECTION TUBE HEAT RESISTANT 140 MM	2	2	2	2
20		860650	PROTECTION TUBE (HEAT RESISTANT) as required non certified in a roll	1	1	1	1

BRP-Rotax
ILLUSTRATED PARTS CATALOG

This page intentionally left blank

Chapter: 75-20-00
COOLING AIR BAFFLE



AE_IPC_6IS_0042

BRP-Rotax
ILLUSTRATED PARTS CATALOG

Chapter: 75-20-00
COOLING AIR BAFFLE

ITEM#	STATUS	PART#	DESCRIPTION	916 iSc A	916 iS A	916 iSc C24	916 iS C24
01		975794	COOLING AIR BAFFLE TRACTOR BLACK optional	1	1	1	1
01		975798	COOLING AIR BAFFLE PUSHER BLACK Ill. no. 1-2 non certified optional	1	1	1	1
01		975792	COOLING AIR BAFFLE PUSHER WHITE Ill. no. 1-2 still valid non certified optional	1	1	1	1
01		975793	COOLING AIR BAFFLE TRACTOR WHITE optional	1	1	1	1
02		201160	RUBBER GROMMET optional	1	1	1	1
03		922327	OVERFLOW BOTTLE WITH CAP non certified optional	1	1	1	1
04		997086	RADIATOR non certified optional	1	1	1	1
05		922582	WATER DISTRIBUTOR ASSY. non certified SI-PAC-022 if water radiator is installed higher than expansion tank optional	1	1	1	1

BRP-Rotax
ILLUSTRATED PARTS CATALOG

Chapter: 75-20-00
COOLING AIR BAFFLE

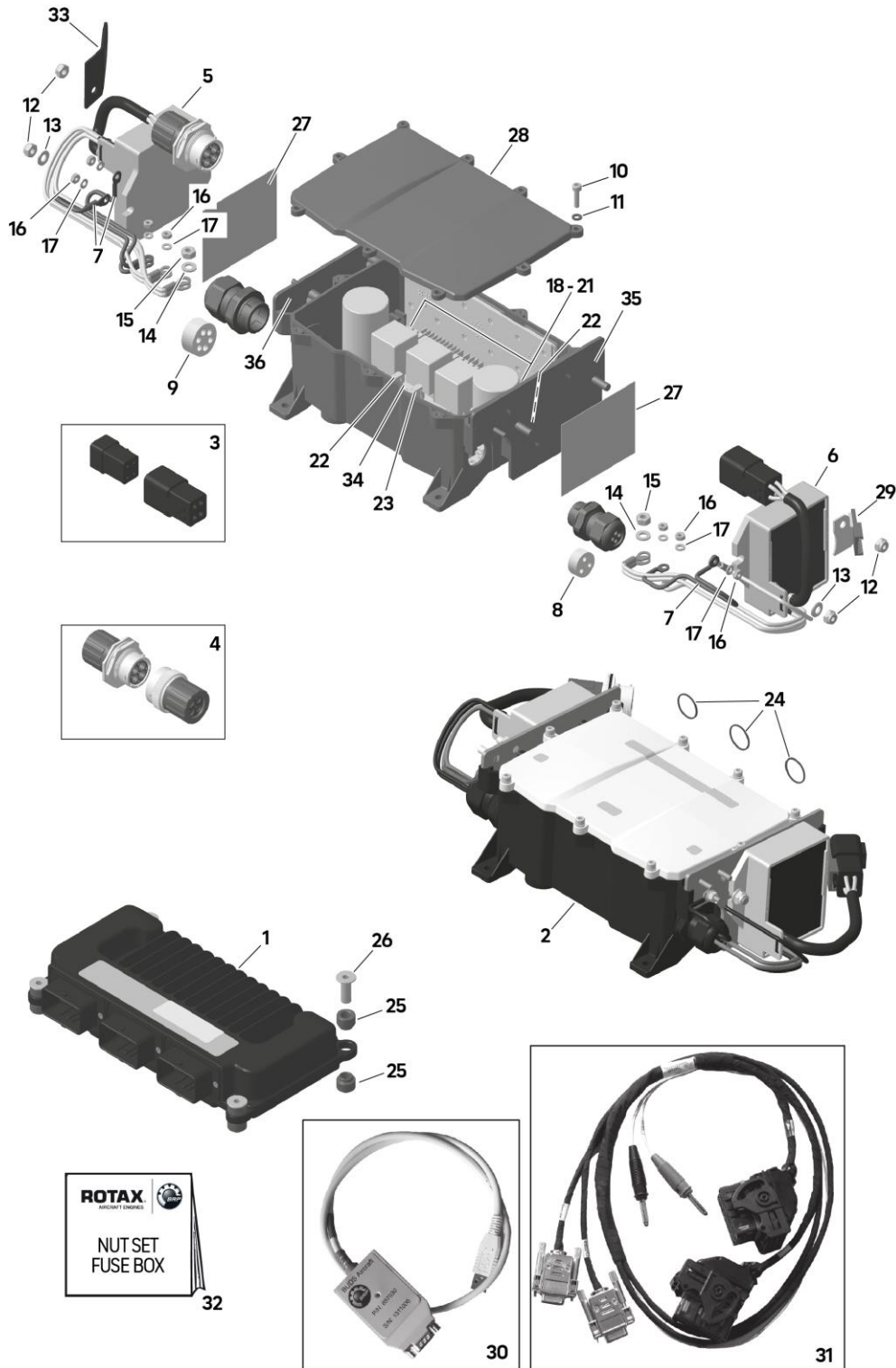
ITEM#	STATUS	PART#	DESCRIPTION	916 iSc A	916 iS A	916 iSc C24	916 iS C24
06		622052	EXPANSION TANK 90 DEGREE non certified SI-PAC-022 if water radiator is installed higher than expansion tank optional	1	1	1	1
07		622053	EXPANSION TANK 180 DEGREE non certified SI-PAC-022 if water radiator is installed higher than expansion tank optional	1	1	1	1

BRP-Rotax
ILLUSTRATED PARTS CATALOG

This page intentionally left blank

BRP-Rotax
ILLUSTRATED PARTS CATALOG

Chapter: 76-10-00
ENGINE CONTROL UNIT, FUSE BOX, REGULATOR
916 iSc A, 916 iS A



AE_IPC_6iS_0016

BRP-Rotax
ILLUSTRATED PARTS CATALOG

Chapter: 76-10-00
ENGINE CONTROL UNIT, FUSE BOX, REGULATOR
916 iSc A, 916 iS A

ITEM#	STATUS	PART#	DESCRIPTION	916 iSc A	916 iS A	916 iSc C24	916 iS C24
01		881258	ENGINE CONTROL UNIT ASSY. non certified (864367 certified + packaging) SI-916i-004 consists of position 25 and 26	1	1	0	0
02		881325	FUSE BOX non certified Ill. no. 2. 24 (665648 certified + packaging)	1	1	0	0
03		866420	CONNECTOR SET BLACK Connector set consisting of all parts for regulator and stator side	1	1	0	0
04		481510	CONNECTOR SET STATOR LANE B Connector set consisting of all parts for regulator and stator side	1	1	0	0
05		864397	REGULATOR WITH AMPHENOL CONNECTOR	1	1	0	0
06		864392	REGULATOR A-CONNECTOR BLACK	1	1	0	0
07		866440	MASS CABLE ASSY.	3	3	0	0
08		201370	SKINTOP CLICK 20	1	1	0	0
09		201375	SKINTOP CLICK 25	1	1	0	0
10		840763	ALLEN SCREW - M4X16 - A2-70	9	9	0	0
11		827230	PLASTIC WASHER M4	9	9	0	0
12		842044	LOCK NUT - M6	4	4	0	0
13		244213	WASHER 6.4	2	2	0	0
14		927573	WASHER 5.3	2	2	0	0
15		842033	LOCK NUT M5	2	2	0	0
16		242538	LOCK NUT - M4-A2	6	6	0	0
17		244078	WASHER 4.3	6	6	0	0
18		866450	MINI-FUSE 2A	2	2	0	0
19		866452	MINI-FUSE 5A	10	10	0	0
20		866454	MINI-FUSE 7.5A	2	2	0	0
21		866456	MINI-FUSE 10A	7	7	0	0
22		866490	ATO-FUSE 20A	1	1	0	0
23		866492	ATO-FUSE 35A	1	1	0	0
24		931110	SEALING RING	3	3	0	0

BRP-Rotax
ILLUSTRATED PARTS CATALOG

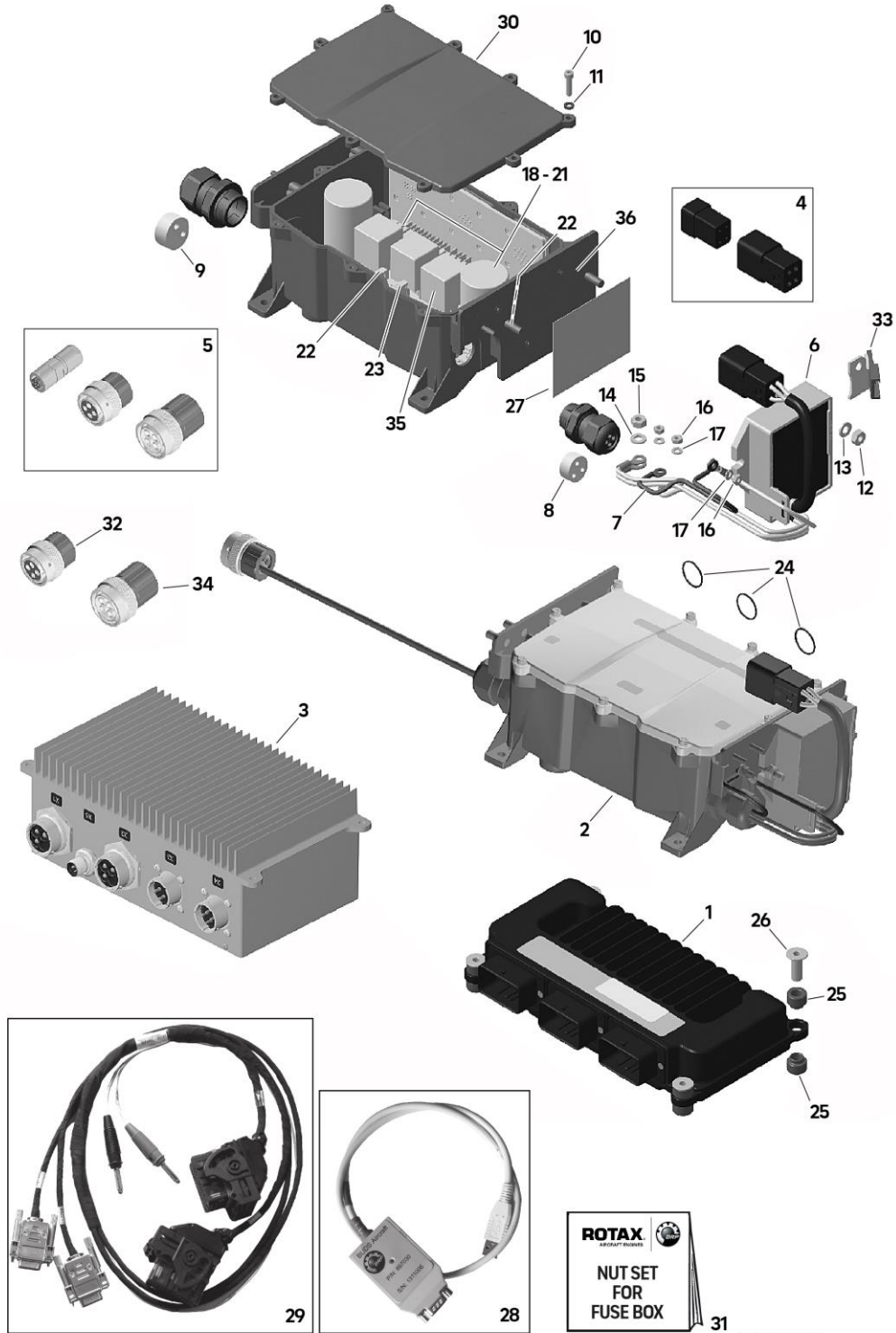
Chapter: 76-10-00
ENGINE CONTROL UNIT, FUSE BOX, REGULATOR
916 iSc A, 916 iS A

ITEM#	STATUS	PART#	DESCRIPTION	916 iSc A	916 iS A	916 iSc C24	916 iS C24
25		201460	RUBBER SLEEVE	8	8	0	0
26		947540	SPACER	4	4	0	0
27		282870	HEAT TRANSFER PAD 65x80x0.5MM	2	2	0	0
28		201690	COVER. FUSE BOX	1	1	0	0
29		951983	CONNECTOR BRACKET ASSY. non certified optional	1	1	0	0
30		XXX	B.U.D.S. SET LEVEL 3 for distributors/OEM see chapter 00-00-00 non certified	1	1	0	0
30		XXX	B.U.D.S. SET LEVEL 2 for maintenance personnel see chapter 00-00-00 non certified	1	1	0	0
30		XXX	B.U.D.S. SET LEVEL 1 for pilots/user see chapter 00-00-00 non certified	1	1	0	0
31		XXX	SERVICE WIRING HARNESS ASSY. see chapter 00-00-00 non certified	1	1	0	0
32		881555	NUT SET FUSE BOX consists of position 12. 13. 16. 17 and 24	1	1	0	0
33		951981	CONNECTOR BRACKET non certified optional	1	1	0	0
34		866150	SWITCH RELAY 12V DC	3	3	0	0
35		651970	SUPPORT PLATE REG.A	1	1	0	0
36		651975	SUPPORT PLATE REG.B	1	1	0	0

This page intentionally left blank

BRP-Rotax
ILLUSTRATED PARTS CATALOG

Chapter: 76-10-00
ENGINE CONTROL UNIT, FUSE BOX, REGULATOR
916 iSc C24, 916 iS C24



AE_IPC_5iS_0035

BRP-Rotax
ILLUSTRATED PARTS CATALOG

Chapter: 76-10-00
ENGINE CONTROL UNIT, FUSE BOX, REGULATOR
916 iSc C24, 916 iS C24

ITEM#	STATUS	PART#	DESCRIPTION	916 iSc A	916 iS A	916 iSc C24	916 iS C24
01		881257	ENGINE CONTROL UNIT ASSY. (864357 + packaging)	0	0	1	1
02		881328	FUSE BOX (665651 + packaging)	0	0	1	1
03		864500	28V AC-DC CONVERTER ASSY.	0	0	1	1
04		866420	CONNECTOR SET BLACK Connector set consists of all parts for regulator and stator side. DEUTSCH connector	0	0	1	1
05		864653	CONNECTOR ASSY. AMPHENOL non certified	0	0	1	1
05		864670	CONNECTOR ASSY. M12 PHOENIX 1422852 non certified	0	0	1	1
05		864593	CONNECTOR ASSY. AMPHENOL non certified	0	0	1	1
05		481560	CONNECTOR SET AC-DC CONVERTER non certified	0	0	1	1
06		864392	REGULATOR A-CONNECTOR BLACK	0	0	1	1
07		866440	MASS CABLE ASSY.	0	0	1	1
08		201370	SKINTOP CLICK 20	0	0	1	1
09		201375	SKINTOP CLICK 25	0	0	1	1
10		840763	ALLEN SCREW - M4X16-A2-70	0	0	9	9
11		827230	PLASTIC WASHER M4	0	0	9	9
12		842044	LOCK NUT - M6	0	0	4	4
13		244213	WASHER 6.4	0	0	2	2
14		927573	WASHER 5.3	0	0	2	2
15		842033	LOCK NUT M5	0	0	2	2
16		242538	LOCK NUT - M4-A2	0	0	6	6
17		244078	WASHER 4.3	0	0	6	6
18		866450	MINI-FUSE 2A	0	0	2	2
19		866452	MINI-FUSE 5A	0	0	11	11
20		866454	MINI-FUSE 7.5A	0	0	2	2
21		866456	MINI-FUSE 10A	0	0	7	7
22		866490	ATO-FUSE 20A	0	0	1	1
23		866492	ATO-FUSE 35A	0	0	1	1

BRP-Rotax
ILLUSTRATED PARTS CATALOG

Chapter: 76-10-00
ENGINE CONTROL UNIT, FUSE BOX, REGULATOR
916 iSc C24, 916 iS C24

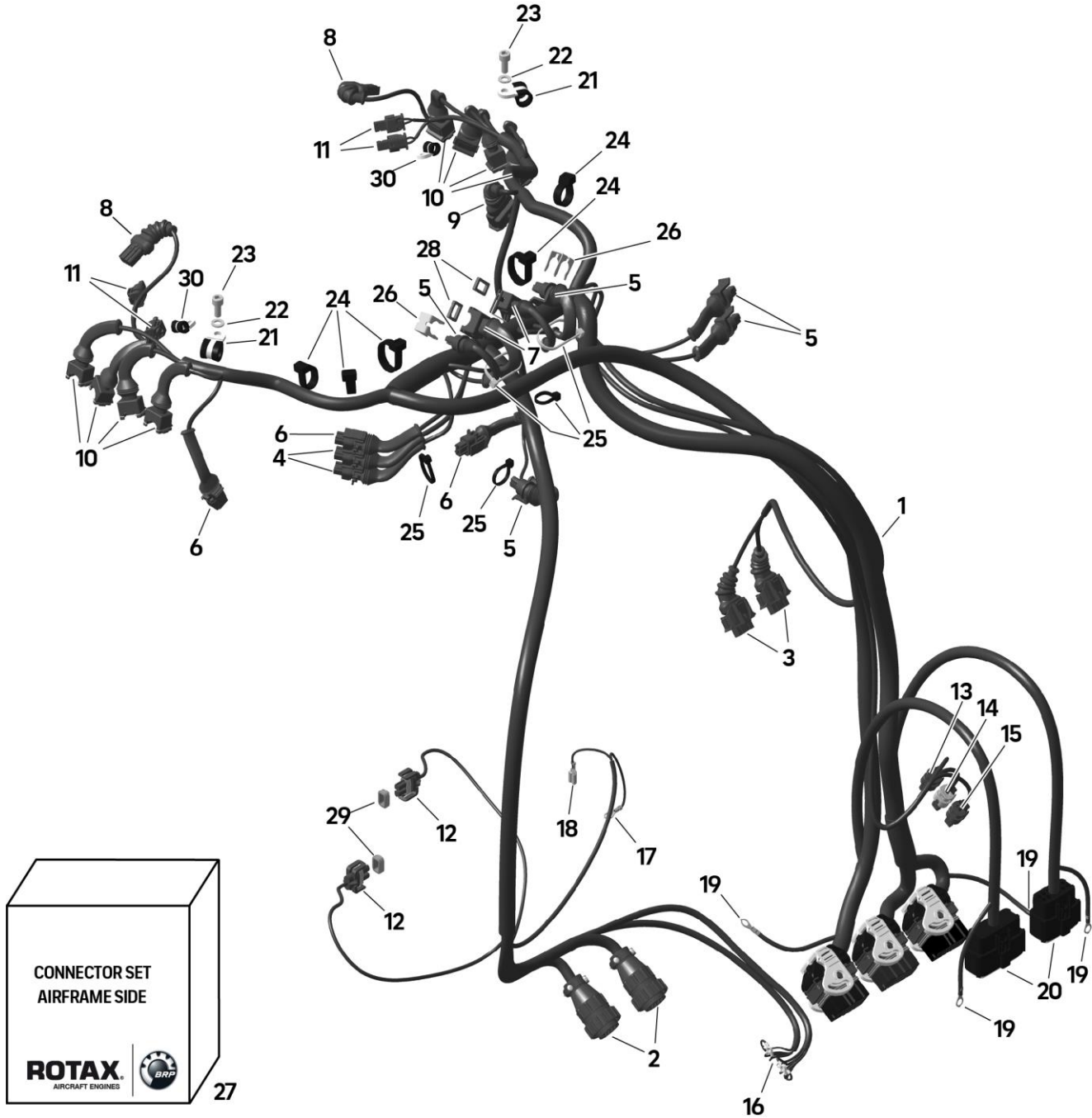
ITEM#	STATUS	PART#	DESCRIPTION	916 iSc A	916 iS A	916 iSc C24	916 iS C24
24		931110	SEALING RING	0	0	3	3
25		201460	RUBBER SLEEVE	0	0	8	8
26		947540	SPACER	0	0	4	4
27		282870	HEAT TRANSFER PAD 65x80x0.5MM	0	0	2	2
28		864022	B.U.D.S. SET LEVEL 2 for maintenance personnel see chapter 00-00-00 SI-916i-002 non certified	0	0	1	1
28		864021	B.U.D.S. SET LEVEL 1 for pilots/user see chapter 00-00-00 SI-916i-002 non certified	0	0	1	1
28		864023	B.U.D.S. SET LEVEL 3 for distributors/OEM see chapter 00-00-00 SI-916i-002 non certified	0	0	1	1
29		864280	SERVICE WIRING HARNESS ASSY. see chapter 00-00-00 non certified	0	0	1	1
30		201690	COVER. FUSE BOX	0	0	1	1
31		244214	WASHER 6.4	0	0	3	3
31		881555	NUT SET FUSE BOX	0	0	1	1
31		842044	LOCK NUT - M6	0	0	3	3
31		244078	WASHER 4.3	0	0	6	6
31		242539	LOCK NUT - M4	0	0	6	6
32		481510	CONNECTOR SET STATOR LANE B Consists of all parts for regulator and stator side. Amphenol connector	0	0	1	0
32		864652	CONNECTOR ASSY. AMPHENOL	0	0	1	1
32		864592	CONNECTOR ASSY. AMPHENOL	0	0	1	0
33		951983	CONNECTOR BRACKET ASSY. SI-PAC-011	0	0	2	2

BRP-Rotax
ILLUSTRATED PARTS CATALOG

Chapter: 76-10-00
ENGINE CONTROL UNIT, FUSE BOX, REGULATOR
916 iSc C24, 916 iS C24

ITEM#	STATUS	PART#	DESCRIPTION	916 iSc A	916 iS A	916 iSc C24	916 iS C24
34		864592	CONNECTOR ASSY. AMPHENOL	0	0	0	1
35		866150	SWITCH RELAY 12V DC	0	0	0	3
36		651970	SUPPORT PLATE REG.A	0	0	1	1

Chapter: 76-50-00
WIRING HARNESS
916 iSc A, 916 iS A



AE_IPC_6iS_0041

BRP-Rotax
ILLUSTRATED PARTS CATALOG

Chapter: 76-50-00
WIRING HARNESS
916 iSc A, 916 iS A

ITEM#	STATUS	PART#	DESCRIPTION	916 iSc A	916 iS A	916 iSc C24	916 iS C24
01		665587	WIRING HARNESS non certified Ill. no. 1-19 (665681 certified + packaging) for double ignition coil with TYCO connector	1	1	0	0
02		881312	CONNECTOR SET FUSE BOX	2	2	0	0
03		881306	CONNECTOR SET AAPTS	2	2	0	0
04		881298	CONNECTOR SET CPS	2	2	0	0
05		881302	CONNECTOR SET OPS AND MAPS 2 x for pressure sensors in Pop Off Valve inclusive	5	5	0	0
06		881296	CONNECTOR SET CTS A OTS A KNOCK	3	3	0	0
07		881292	CONNECTOR SET MATS	2	2	0	0
08		481455	CONNECTOR SET EGT	2	2	0	0
09		881308	CONNECTOR SET TPS	1	1	0	0
10		881300	CONNECTOR SET INJ	8	8	0	0
11		881316	CONNECTOR SET DOUBLE IGNITION COIL	4	4	0	0
12		881304	CONNECTOR SET FUEL PUMP	2	2	0	0
13		481452	CONNECTOR SET PCV A	1	1	0	0
14		481453	CONNECTOR SET PCV B	1	1	0	0
15		481454	CONNECTOR SET PCV C	1	1	0	0
16		965701	RING TERMINAL M4	9	9	0	0
17		964059	RING TERMINAL M6	1	1	0	0
18		864011	FASTON CONNECTOR 6.3X0.8	1	1	0	0
19		966057	RING TERMINAL M6	4	4	0	0
20		881294	CONNECTOR SET HIC A AND HIC B	1	1	0	0
21		251692	CABLE CLAMP 12/M6	2	2	0	0
22		827962	WASHER - A 6.4 - St	2	2	0	0
23		840392	ALLEN SCREW - M6x14	2	2	0	0
24		866716	TIE WRAP 203x7.6 MM	5	5	0	0
25		866714	TIE WRAP 142x3.2 MM	5	5	0	0
26		638140	CLAMP	2	2	0	0

BRP-Rotax
ILLUSTRATED PARTS CATALOG

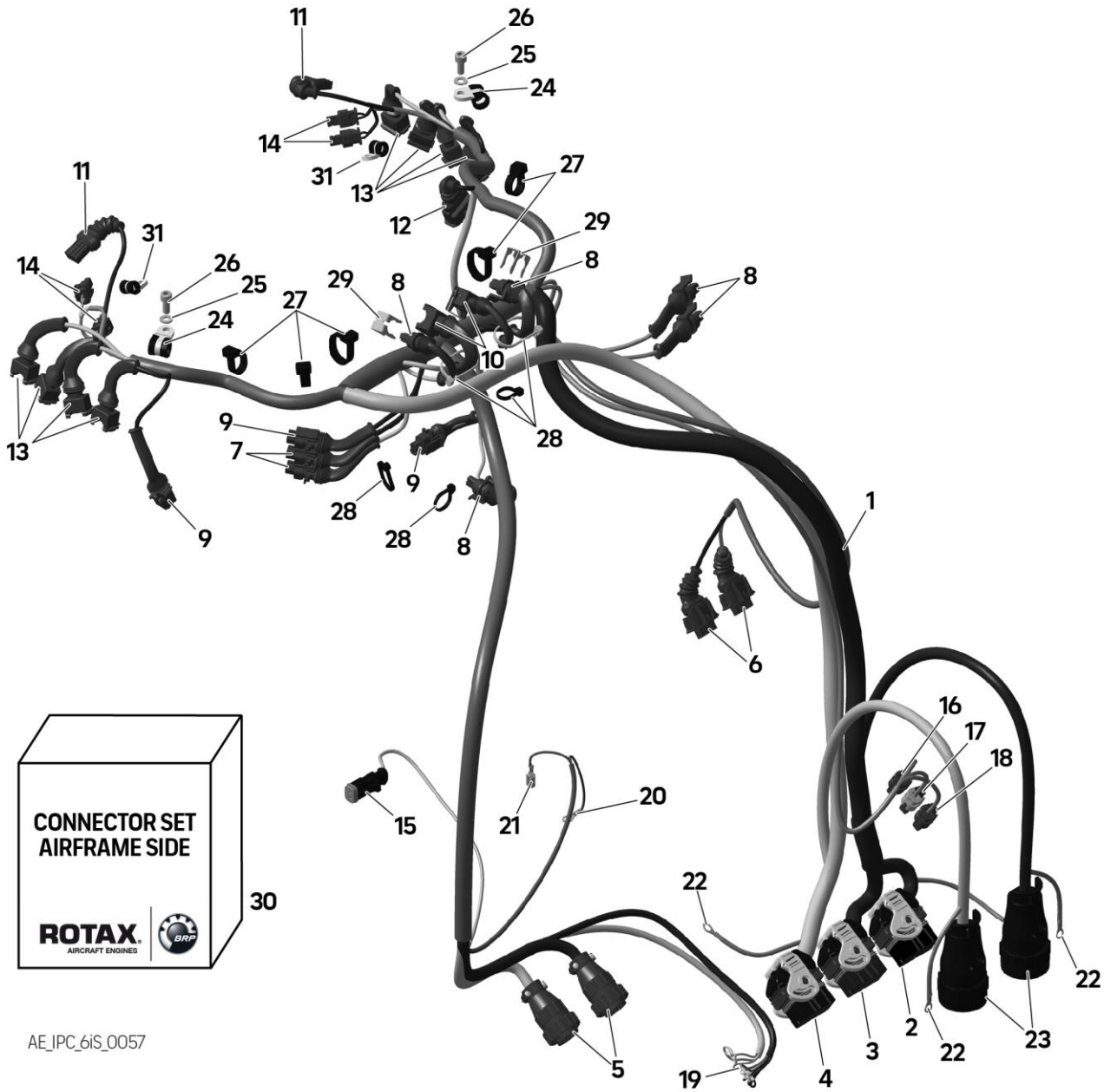
Chapter: 76-50-00
WIRING HARNESS
916 iSc A, 916 iS A

ITEM#	STATUS	PART#	DESCRIPTION	916 iSc A	916 iS A	916 iSc C24	916 iS C24
27		881240	CONNECTOR SET AIRFRAME SIDE non certified HIC A. HIC B and FUSE BOX 3-pole airframe side SI-PAC-012 optional	1	1	0	0
28		850610	CONNECTOR GASKET for MATS connector	2	2	0	0
29		850620	CONNECTOR GASKET for fuel pump connector	2	2	0	0
30		851110	CABLE CLAMP 8/M5	2	2	0	0

BRP-Rotax
ILLUSTRATED PARTS CATALOG

This page intentionally left blank

Chapter: 76-50-00
WIRING HARNESS
916 iSc C24, 916 iS C24



BRP-Rotax
ILLUSTRATED PARTS CATALOG

Chapter: 76-50-00
WIRING HARNESS
916 iSc C24, 916 iS C24

ITEM#	STATUS	PART#	DESCRIPTION	916 iSc A	916 iS A	916 iSc C24	916 iS C24
01		665594	WIRING HARNESS SHORT (665683 + packaging) TYCO connector instead 6.3 mm faston connector for ignition coils	0	0	1	1
01		665598	WIRING HARNESS STANDARD (665688 + packaging) TYCO connector instead 6.3 mm faston connector for ignition coils	0	0	1	1
02		XXX	ECU LANE A1 CONNECTOR not available	0	0	1	1
03		XXX	ECU LANE A2 CONNECTOR not available	0	0	1	1
04		XXX	ECU LANE B CONNECTOR not available	0	0	1	1
05		881312	CONNECTOR SET FUSE BOX	0	0	2	2
06		881306	CONNECTOR SET AAPTS	0	0	2	2
07		881298	CONNECTOR SET CPS	0	0	2	2
08		881302	CONNECTOR SET OPS AND MAPS 2 x for BPS inclusive	0	0	5	0
08		881302	CONNECTOR SET OPS AND MAPS 2 x for pressure sensors in Pop Off valve inclusive	0	0	0	5
09		881296	CONNECTOR SET CTS A OTS A KNOCK	0	0	3	3
10		881292	CONNECTOR SET MATS	0	0	2	2
11		481455	CONNECTOR SET EGT	0	0	2	2
12		881308	CONNECTOR SET TPS	0	0	1	1
13		881300	CONNECTOR SET INJ	0	0	8	8
14		881310	CONNECTOR SET IGNITION COIL	0	0	1	1
15		XXX	FUEL PUMP CONNECTOR	0	0	2	2
16		481452	CONNECTOR SET PCV A	0	0	1	1
17		481453	CONNECTOR SET PCV B	0	0	1	1
18		481454	CONNECTOR SET PCV C	0	0	1	1
19		965701	RING TERMINAL M4	0	0	9	9
20		964059	RING TERMINAL M6	0	0	1	1
21		864011	FASTON CONNECTOR 6.3X0.8	0	0	1	1

BRP-Rotax
ILLUSTRATED PARTS CATALOG

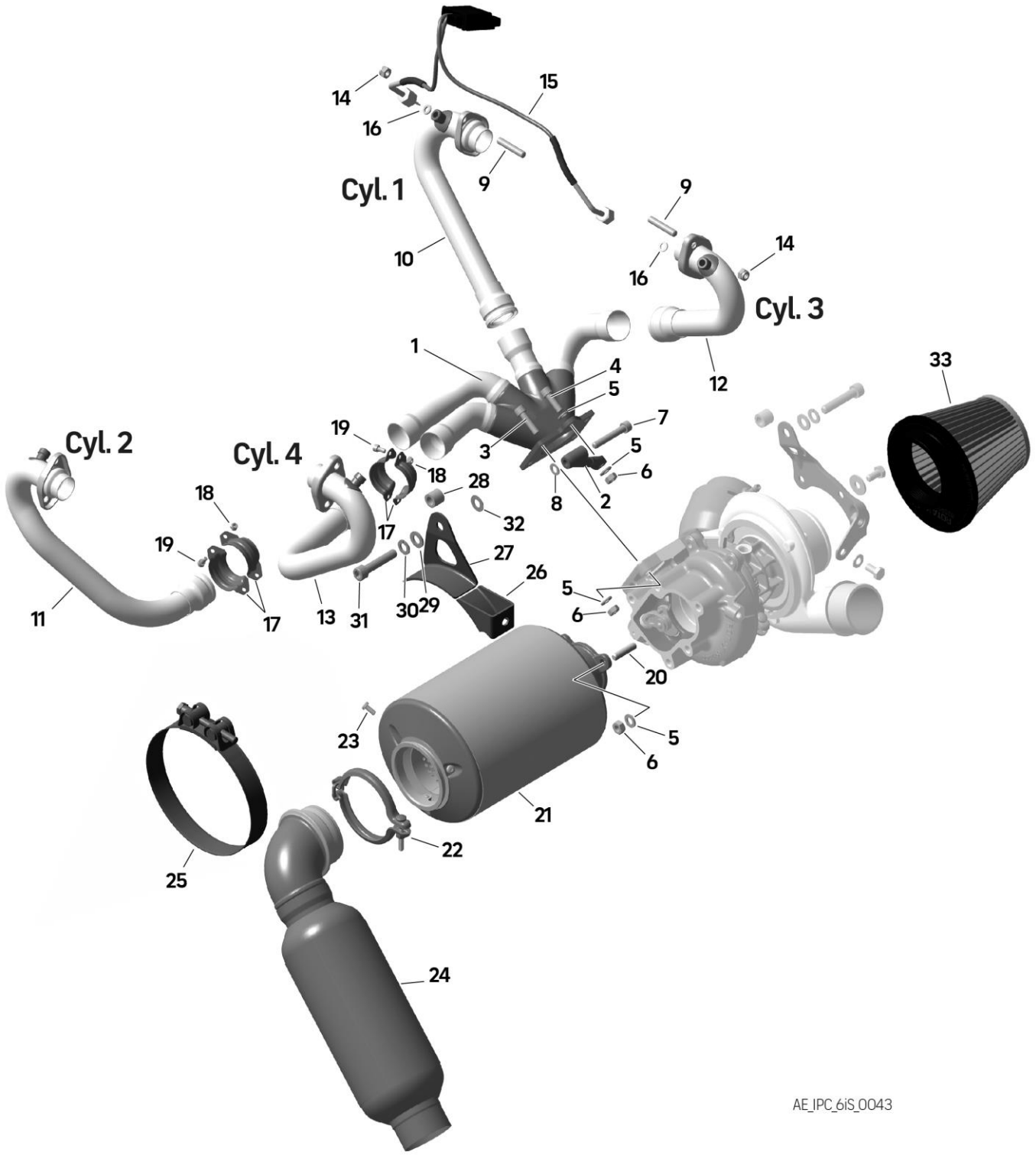
Chapter: 76-50-00
WIRING HARNESS
916 iSc C24, 916 iS C24

ITEM#	STATUS	PART#	DESCRIPTION	916 iSc A	916 iS A	916 iSc C24	916 iS C24
22		966057	RING TERMINAL M6	0	0	4	4
23		XXX	CONNECTOR SET HIC A + HIC B	0	0	1	1
24		251692	CABLE CLAMP 12/M6	0	0	2	2
25		827962	WASHER - A 6.4 - St	0	0	2	2
26		840392	ALLEN SCREW - M6x14	0	0	2	2
27		866716	TIE WRAP 203x7.6 MM	0	0	5	5
28		866714	TIE WRAP 142x3.2 MM	0	0	5	5
29		638140	CLAMP	0	0	2	2
30		881245	CONNECTOR SET AIRFRAME SIDE C24 non certified HIC A. HIC B and FUSE BOX 3-pole SI-PAC-012	0	0	1	1
31		851110	CABLE CLAMP 8/M5	0	0	1	1

BRP-Rotax
ILLUSTRATED PARTS CATALOG

This page intentionally left blank

Chapter: 78-10-00
EXHAUST SYSTEM, EXHAUST TEMPERATURE SENSOR



AE_IPC_6iS_0043

BRP-Rotax
ILLUSTRATED PARTS CATALOG

Chapter: 78-10-00

EXHAUST SYSTEM, EXHAUST TEMPERATURE SENSOR

ITEM#	STATUS	PART#	DESCRIPTION	916 iSc A	916 iS A	916 iSc C24	916 iS C24
01		979563	EXHAUST MANIFOLD ASSY.	1	1	1	1
02		953306	MANIFOLD BRACKET ASSY.	1	1	1	1
03		840993	ALLEN SCREW - M8X30	4	4	4	4
04		XXX	ALLEN SCREW - M8X20	1	1	1	1
05		250313	WASHER 8.4 STAINLESS STEEL	12	12	12	12
06		242203	HEX.NUT M8 STAINLESS STEEL	9	9	9	9
07		440107	ALLEN SCREW - M8X50	1	1	1	1
08		926402	WASHER 8.4/15/1.5 as required	1	1	1	1
09		940368	STUD M8X23/20	8	8	8	8
10		979502	EXHAUST PIPE ASSY. CYL. 1	1	1	1	1
11		979512	EXHAUST PIPE ASSY. CYL. 2	1	1	1	1
12		979522	EXHAUST PIPE ASSY. CYL. 3	1	1	1	1
13		979533	EXHAUST PIPE ASSY. CYL. 4	1	1	1	1
14		842950	LOCK NUT M8-SW12	8	8	8	8
15		866262	TEMPERATURE SENSOR	2	2	2	2
16		244213	WASHER 6.4	4	4	4	4
17		979570	EXHAUST PIPE CLAMP	4	4	4	4
18		901442	HEX.NUT - M5 - A2	4	4	4	4
19		240153	ALLEN SCREW - M5X10	4	4	4	4
20		940173	STUD M8X19.5/13	5	5	5	5
21		979490	MUFFLER	1	1	1	1
22		651873	V-BAND CLAMP ASSY. 83MM	1	1	1	1
23		941930	SCREW - PE - M5X12	3	3	3	3
24		481570	EXHAUST ELBOW non certified (979580 certified + packaging) Ill. no. 22. 23. 24	1	1	1	1
25		851445	CLAMP 140-148	1	1	1	1
26		851685	EXHAUST BRACKET	1	1	1	1
27		851680	EXHAUST BRACKET	1	2	1	2
28		847841	SPACER 10.5/17/15	2	2	2	2
29		927411	WASHER 10.5	2	2	2	2
30		945753	LOCK WASHER A10	2	2	2	2
31		640572	ALLEN SCREW - M10X50	2	2	2	2

BRP-Rotax
ILLUSTRATED PARTS CATALOG

Chapter: 78-10-00
EXHAUST SYSTEM, EXHAUST TEMPERATURE SENSOR

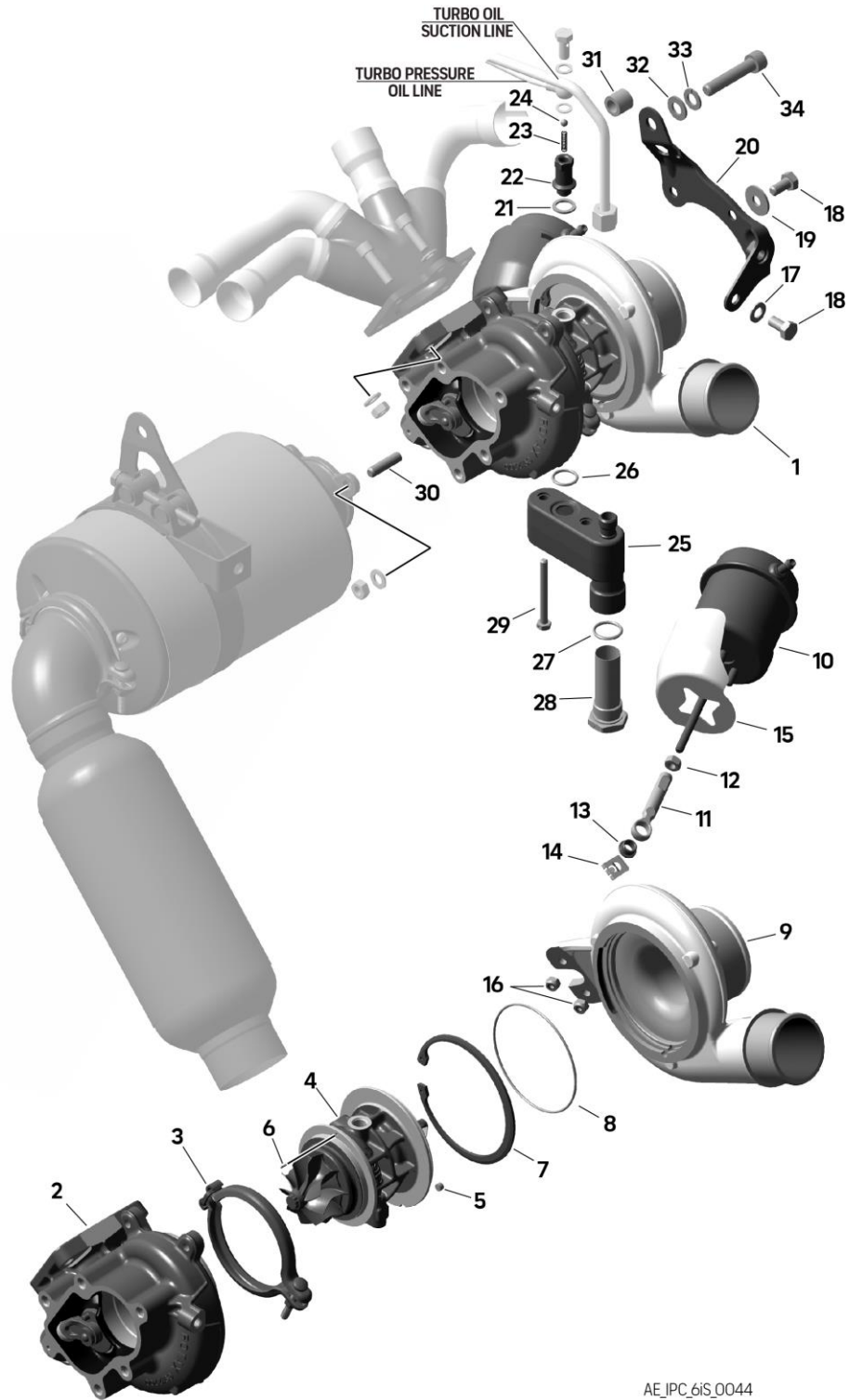
ITEM#	STATUS	PART#	DESCRIPTION	916 iSc A	916 iS A	916 iSc C24	916 iS C24
32		927953	THRUST WASHER 10.1/20/1.0 as required see chapter 71-20-00	1	1	1	1
33		XXX	AIRFILTER non certified see chapter 73-10-00 optional	1	1	1	1

BRP-Rotax
ILLUSTRATED PARTS CATALOG

This page intentionally left blank

BRP-Rotax
ILLUSTRATED PARTS CATALOG

Chapter: 78-10-00
TURBOCHARGER



AE_IPC_6iS_0044

BRP-Rotax
ILLUSTRATED PARTS CATALOG

Chapter: 78-10-00
TURBOCHARGER

ITEM#	STATUS	PART#	DESCRIPTION	916 iSc A	916 iS A	916 iSc C24	916 iS C24
01		893101	TURBOCHARGER ASSY. non certified Ill. no. 2-16 (893109 certified + packaging)	1	1	1	1
02		912225	TURBINE HOUSING ASSY.	1	1	1	1
03		651873	V-BAND CLAMP ASSY. 83MM	1	1	1	1
04		864165	TURBO CARTRIDGE ASSY. BALANCED	1	1	1	1
05		629320	GUIDE PIN 6 x 4	1	1	1	1
06		629330	NEEDLE PIN 2X6 EN	1	1	1	1
07		651866	RETAINING RING	1	1	1	1
08		850540	O-RING - 83X2-N. FPM75	1	1	1	1
09		910753	COMPRESSOR HOUSING	1	1	1	1
10		867383	ACTUATOR ASSY. Ill. no. 10-12	1	1	1	1
11		440845	EYE BOLT 7/16" M6x0.75	1	1	1	1
12		242914	HEX. NUT M6x0.75 - A2-70	1	1	1	1
13		933682	BUSHING	1	1	1	1
14		845005	CIRCLIP	1	1	1	1
15		975150	HEAT SHIELD	1	1	1	1
16		842041	LOCK NUT M6 - 6.6	2	2	2	2
17		250313	WASHER 8.4 STAINLESS STEEL	1	1	1	1
18		940583	HEX. SCREW M8X16 STAINLESS STEEL	3	3	3	3
19		626333	WASHER 8.4	2	2	2	2
20		851299	TURBOCHARGER BRACKET	1	1	1	1
20		851283	TURBOCHARGER BRACKET UNF	1	1	1	1
21		250646	SEALING RING - A 12X18-CU	1	1	1	1
22		956482	VALVE HOUSING	1	1	1	1
23		239131	COMPRESSION SPRING 22.0	1	1	1	1
24		232441	BALL - 5.556 G28 - 1.3505	1	1	1	1
25		656770	OIL SUMP ASSY	1	1	1	1
26		430225	O-RING - 15.9X2.3-N. FPM 75	1	1	1	1
27		250057	O-RING - 18X2.5-N. FPM 75	1	1	1	1
28		640860	PLUG SCREW ASSY. M22x1.5	1	1	1	1
29		640601	HEX.SCREW - M6X55	2	2	2	2
30		940173	STUD M8X19.5/13	5	5	5	5

BRP-Rotax
ILLUSTRATED PARTS CATALOG

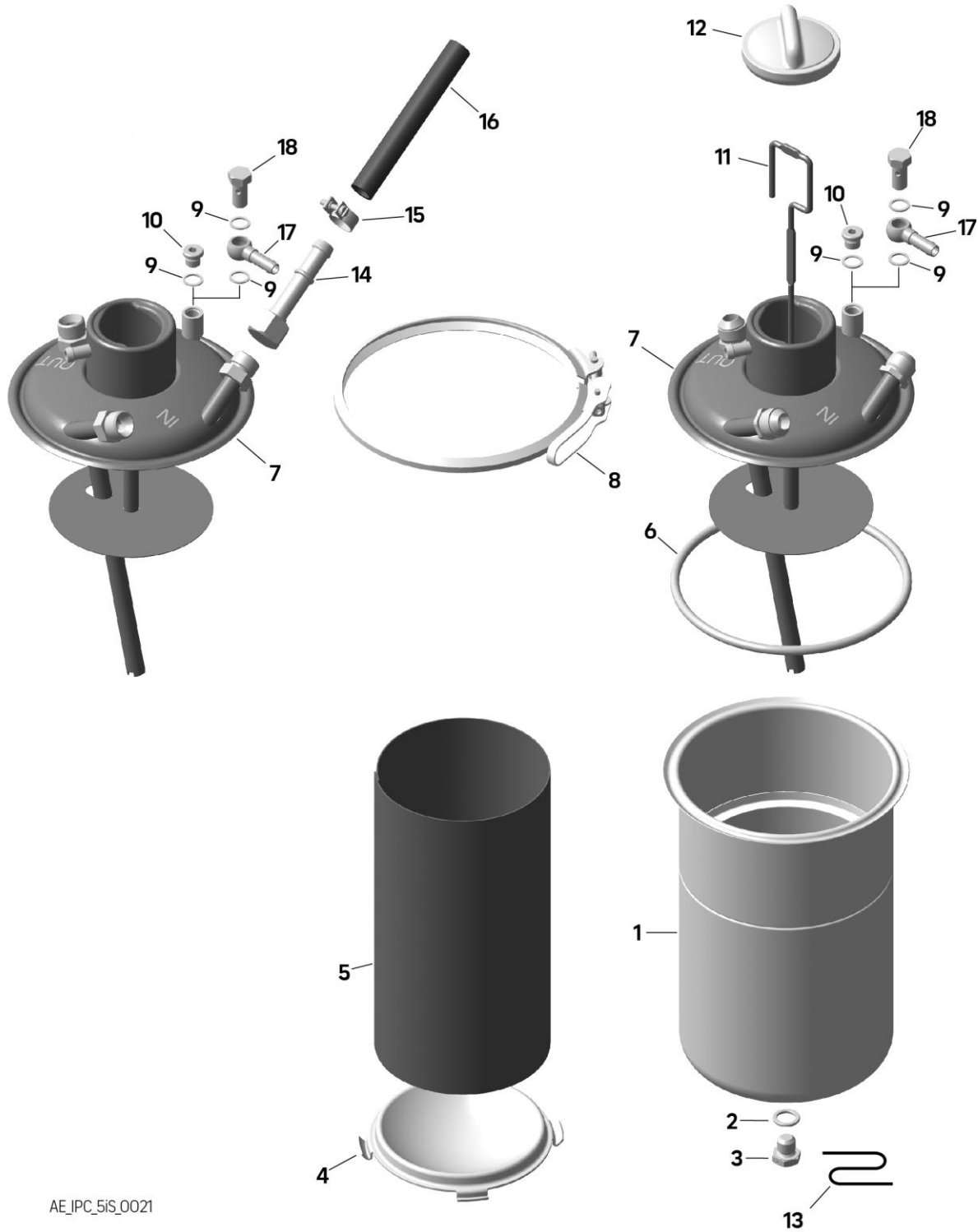
Chapter: 78-10-00
TURBOCHARGER

ITEM#	STATUS	PART#	DESCRIPTION	916 iSc A	916 iS A	916 iSc C24	916 iS C24
31		847841	SPACER 10.5/17/15	2	2	2	2
32		927411	WASHER 10.5	2	2	2	2
33		945753	LOCK WASHER A10	2	2	2	2
34		640572	ALLEN SCREW - M10X50	2	2	2	2

This page intentionally left blank

BRP-Rotax
ILLUSTRATED PARTS CATALOG

Chapter: 79-20-00
OIL TANK



AE_IPC_5iS_0021

BRP-Rotax
ILLUSTRATED PARTS CATALOG

Chapter: 79-20-00
OIL TANK

ITEM#	STATUS	PART#	DESCRIPTION	916 iSc A	916 iS A	916 iSc C24	916 iS C24
01		656222	OIL TANK ASSY. UNF 915iS B BIG Ill. no. 1-12 non certified SI-PAC-018 optional	1	1	1	1
01		XXX	OIL TANK STANDARD not available	1	1	1	1
01		XXX	OIL TANK BIG not available optional	1	1	1	1
01		656224	OIL TANK ASSY. UNF 915iS A Ill. no. 1-12 optional	1	1	1	1
01		656226	OIL TANK ASSY. METRIC 915iS A Ill. no. 1-12 optional	1	1	1	1
02		250010	GASKET RING C 12X18	1	1	1	1
03		241408	PLUG SCREW - M12X12	1	1	1	1
04		656861	PARTITION WALL	1	1	1	1
05		956204	BAFFLE INSERT metric. UNF	1	1	1	1
05		956205	BAFFLE INSERT BIG optional	1	1	1	1
06		850491	O-RING - 145X6-N. HNBR 70	1	1	1	1
07		XXX	OIL TANK COVER ASSY. METRIC standard not available	1	1	1	1
07		XXX	OIL TANK COVER ASSY. UNF standard not available	1	1	1	1
07		XXX	OIL TANK COVER ASSY. UNF BIG not available	1	1	1	1
08		951817	PROFILE CLAMP 163	1	1	1	1
09		230150	SEALING RING A 10X14	1	1	1	1
10		641733	PLUG SCREW M10X1 -A2-70	1	1	1	1

BRP-Rotax
ILLUSTRATED PARTS CATALOG

Chapter: 79-20-00
OIL TANK

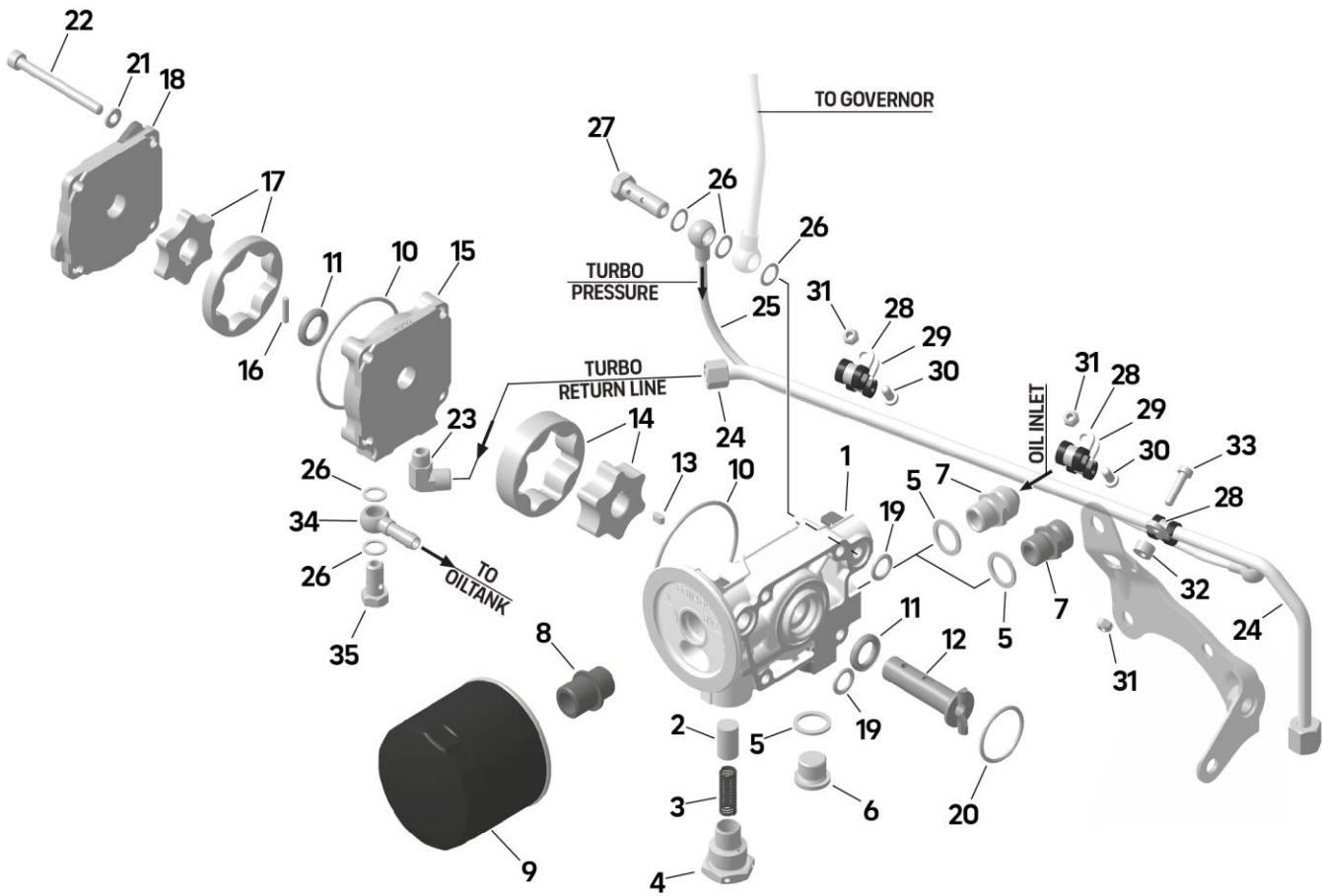
ITEM#	STATUS	PART#	DESCRIPTION	916 iSc A	916 iS A	916 iSc C24	916 iS C24
11		956154	OIL DIPSTICK BIG non certified optional	1	1	1	1
11		956152	OIL DIPSTICK STANDARD	1	1	1	1
12		974650	OIL TANK COVER KPL. BIG non certified optional	1	1	1	1
12		974647	OIL TANK COVER. WITHOUT VENTING STANDARD optional	1	1	1	1
13		297555	SAFETY WIRE 0.8	1	1	1	1
14		956610	HOSE NIPPLE WITH UNION NUT non certified as required SI-PAC-013 optional	1	1	1	1
15		951826	HOSE CLAMP - 2-B1-19x9-W1-2 non certified as required SI-PAC-013 optional	1	1	1	1
16		956394	OIL TUBE M4M-2 12X19 non certified as required SI-PAC-013 optional	1	1	1	1
17		956314	HOSE NIPPLE 4/6 SI-PAC-013	1	1	1	1
18		241073	BANJO BOLT M10X1X19 SI-PAC-013	1	1	1	1

This page intentionally left blank

BRP-Rotax
ILLUSTRATED PARTS CATALOG

Chapter: 79-20-00

OIL PUMP ASSY., OIL FILTER, OIL TEMPERATURE SENSOR, OIL PRESSURE SENSOR



AE_IPC_6IS_0045

BRP-Rotax
ILLUSTRATED PARTS CATALOG

Chapter: 79-20-00

OIL PUMP ASSY., OIL FILTER, OIL TEMPERATURE SENSOR, OIL PRESSURE SENSOR

ITEM#	STATUS	PART#	DESCRIPTION	916 iSc A	916 iS A	916 iSc C24	916 iS C24
01		811463	OIL PUMP HOUSING	1	1	1	1
02		856330	REGULATING PISTON	1	1	1	1
03		838125	COMPRESSION SPRING L65.6	1	1	1	1
04		640850	PLUG SCREW M22x1.5	1	1	1	1
05		430622	SEALING RING A 16X22	2	2	2	2
06		240234	PLUG SCREW A M16X1.5	1	1	1	1
07		956635	ADAPTER 7/8-14 UNF/ M16 X 1.5	1	1	1	1
07		956605	ADAPTER M22X1.5/ M16X1.5	1	1	1	1
08		924430	OIL FILTER NIPPLE	1	1	1	1
09		825016	OIL FILTER	1	1	1	1
10		830372	O-RING - 63X2.5-N. FPM 75	2	2	2	2
11		430102	OIL SEAL A 14X22X4 FPM	2	2	2	2
12		837295	OIL PUMP SHAFT	1	1	1	1
13		246580	KEY A 4X4X8	1	1	1	1
14		888821	PRESSURE INNER AND OUTER ROTOR	1	1	1	1
15		812195	OIL PUMP HOUSING	1	1	1	1
16		232732	NEEDLE PIN B 4X15.8 G2	1	1	1	1
17		656850	ROTOR SET	1	1	1	1
18		911717	OIL PUMP COVER	1	1	1	1
19		250460	O-RING - 11X2.7-N. FPM 75 BLACK	2	2	2	2
20		950410	O-RING - 30X2.5-N. FPM 75	1	1	1	1
21		827962	WASHER - A 6.4 - St	4	4	4	4
22		241263	ALLEN SCREW - M6x65	4	4	4	4
23		824020	MALE STUD ELBOW M10x1	1	1	1	1
24		656760	TURBO OIL SUCTION LINE	1	1	1	1
25		656765	TURBO PRESSURE OIL LINE	1	1	1	1
26		230150	SEALING RING A 10X14	5	5	5	5
27		940877	BANJO BOLT M10X1X34	1	1	1	1
28		851111	CABLE CLAMP 8/M5	3	3	3	3
29		851116	CABLE CLAMP 5/M5	2	2	2	2
30		241842	ALLEN SCREW - M5X12	2	2	2	2
31		942021	LOCK NUT - M5 - 6	3	3	3	3
32		847664	SPACER 5.2/11/6.4	1	1	1	1
33		941540	ALLEN SCREW - M5X20	1	1	1	1
34		956314	HOSE NIPPLE 4/6	1	1	1	1

BRP-Rotax
ILLUSTRATED PARTS CATALOG

Chapter: 79-20-00

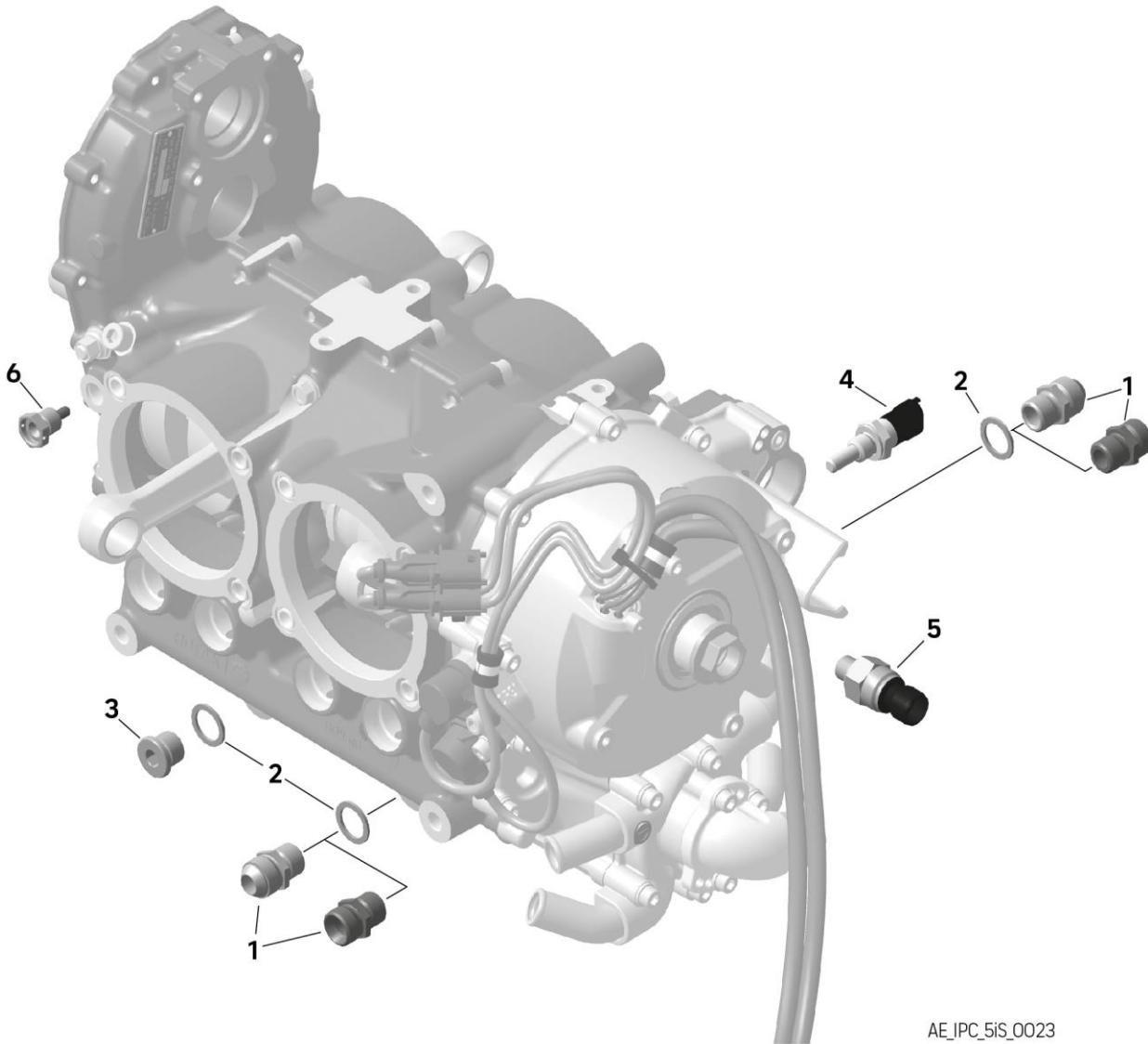
OIL PUMP ASSY., OIL FILTER, OIL TEMPERATURE SENSOR, OIL PRESSURE SENSOR

ITEM#	STATUS	PART#	DESCRIPTION	916 iSc A	916 iS A	916 iSc C24	916 iS C24
35		940876	BANJO BOLT M10X1X23	1	1	1	1

This page intentionally left blank

Chapter: 79-20-00

OIL TEMPERATURE SENSOR, OIL PRESSURE SENSOR, OIL SPRAY NOZZLE ASSY.



AE_IPC_5IS_0023

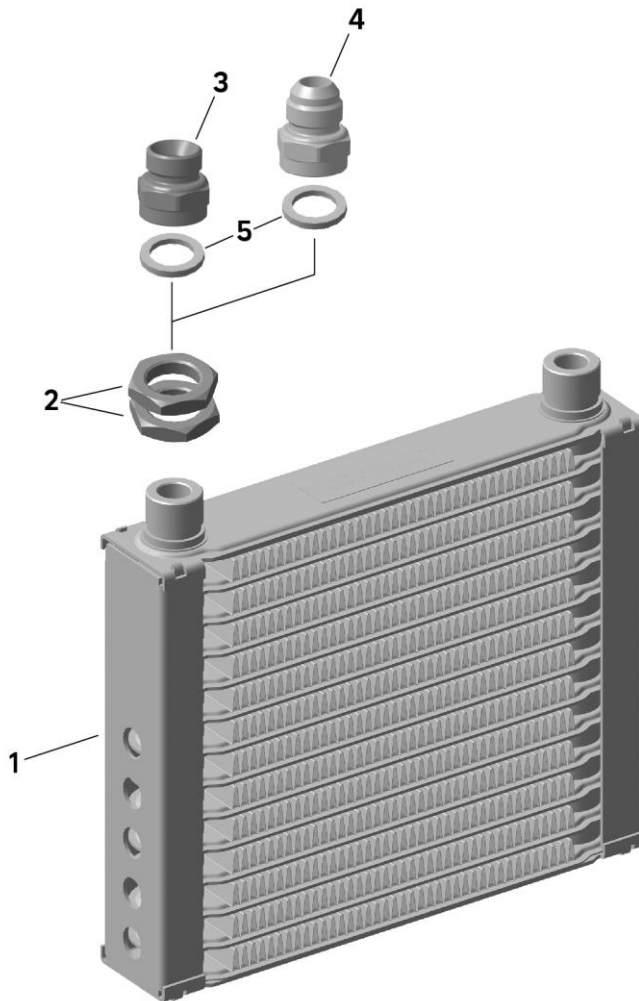
BRP-Rotax
ILLUSTRATED PARTS CATALOG

Chapter: 79-20-00

OIL TEMPERATURE SENSOR, OIL PRESSURE SENSOR, OIL SPRAY NOZZLE ASSY.

ITEM#	STATUS	PART#	DESCRIPTION	916 iSc A	916 iS A	916 iSc C24	916 iS C24
01		956655	ADAPTER M18X1.5/ M16X1.5 optional	2	2	2	2
01		956652	ADAPTER 3/4-16 UNF/ M16 X 1.5 optional	2	2	2	2
02		430622	SEALING RING A 16X22	3	3	3	3
03		240234	PLUG SCREW A M16X1.5	2	2	2	2
04		965537	TEMPERATURE SENSOR	1	1	1	1
05		664365	PRESSURE SENSOR 10	1	1	1	1
06		640866	MAGNETIC DRAIN PLUG M12X1.5 non certified (241785 certified + packaging)	1	1	1	1

Chapter: 79-20-00
OIL RADIATOR



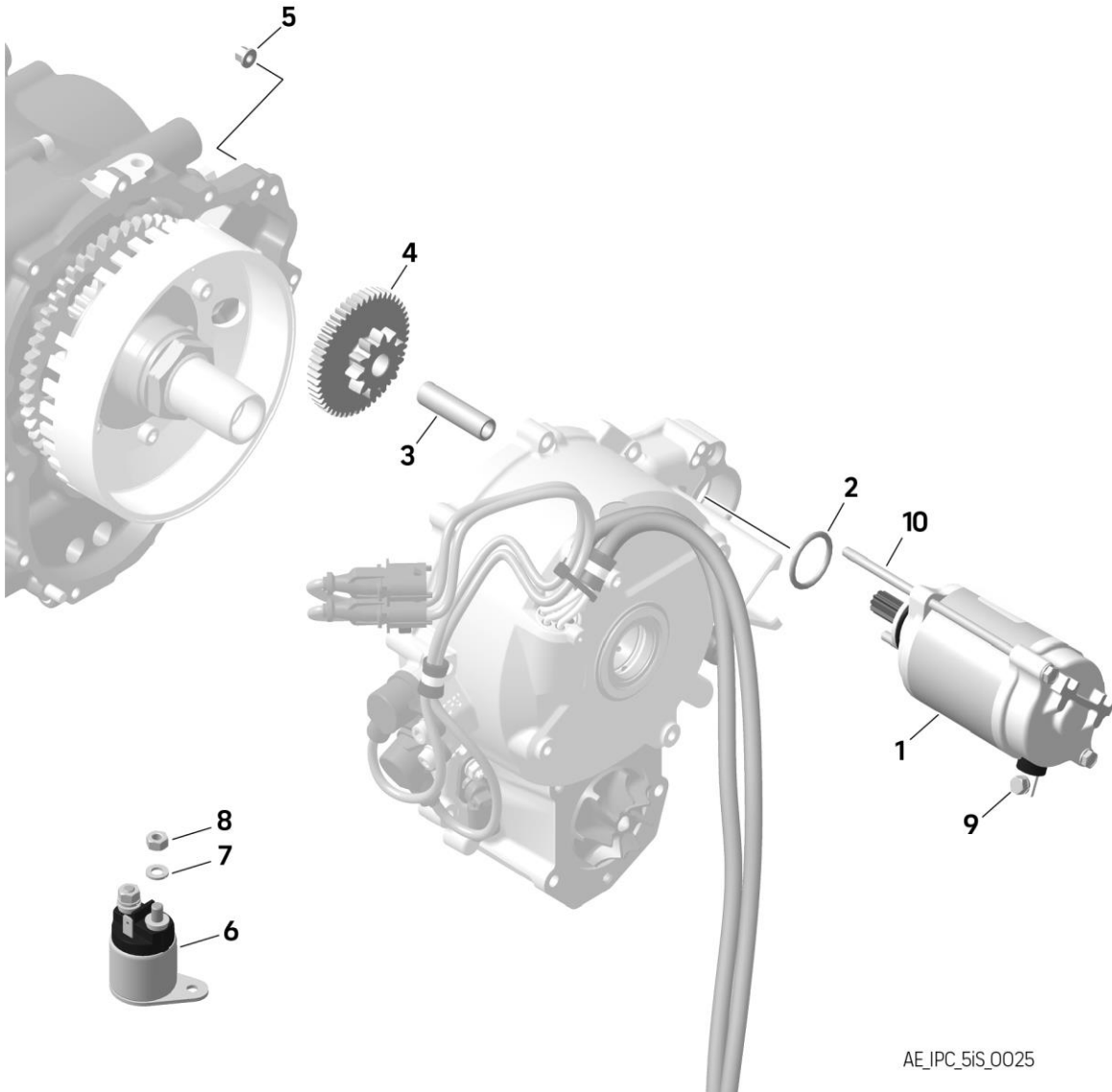
AE_IPC_6iS_0038

BRP-Rotax
ILLUSTRATED PARTS CATALOG

Chapter: 79-20-00
OIL RADIATOR

ITEM#	STATUS	PART#	DESCRIPTION	916 iSc A	916 iS A	916 iSc C24	916 iS C24
01		886107	OIL RADIATOR non certified cooling area 300 cm ² SI-PAC-013 optional	1	1	1	1
02		242873	HEX.NUT M22X1.5 H=6 non certified SI-PAC-013 optional	4	4	4	4
03		956685	ADAPTER M22X1.5 / M22X1.5 non certified SI-PAC-013 optional	2	2	2	2
04		956680	ADAPTER 7/8-14 UNF / M22X1.5 non certified SI-PAC-013 optional not available	2	2	2	2
04	N	956681	ADAPTER 7/8-14 UNF / M22X1.5 non certified SI-PAC-013 optional	2	2	2	2
05		250735	GASKET RING A 14X20 non certified SI-PAC-013 optional	2	2	2	2

Chapter: 80-10-00
ELECTRIC STARTER



AE_IPC_5iS_0025

BRP-Rotax
ILLUSTRATED PARTS CATALOG

Chapter: 80-10-00
ELECTRIC STARTER

ITEM#	STATUS	PART#	DESCRIPTION	916 iSc A	916 iS A	916 iSc C24	916 iS C24
01		685672	ELECTRIC STARTER ASSY. 24V Ill. no. 1-2 SI-PAC-015 optional	0	0	1	1
01		685667	ELECTRIC STARTER ASSY. Ill. no. 1-2	1	1	0	0
01		685672	ELECTRIC STARTER ASSY. 24V Ill. no. 1-2 non certified SI-PAC-015 optional	1	1	0	0
02		250140	O-RING - 24.4X3.1-N NBR70	1	1	1	1
03		837102	IDLE GEAR SHAFT	1	1	1	1
04		834157	IDLE GEAR 50/11 T.	1	1	1	1
05		942311	HEX. NUT M5	2	2	2	2
06		992818	STARTER RELAY ASSY. Ill. no. 6-8 non certified SI-PAC-017	1	1	1	1
07		945831	LOCK WASHER - A6-FST non certified SI-PAC-017	2	2	2	2
08		242214	HEX.NUT M6 8.8 non certified SI-PAC-017	2	2	2	2
09		240457	TERMINAL SCREW M5X8	1	1	1	1
10		241132	SET BOLT M5X143	2	2	2	2

ROTAX®

Engine serial no.

Type of aircraft

Aircraft registration no.

Rotax® authorized distributor

FLYROTAX.COM

® and TM are trademarks of BRP-Rotax GmbH & Co KG.

© 2023 BRP-Rotax GmbH & Co KG. All rights reserved.

